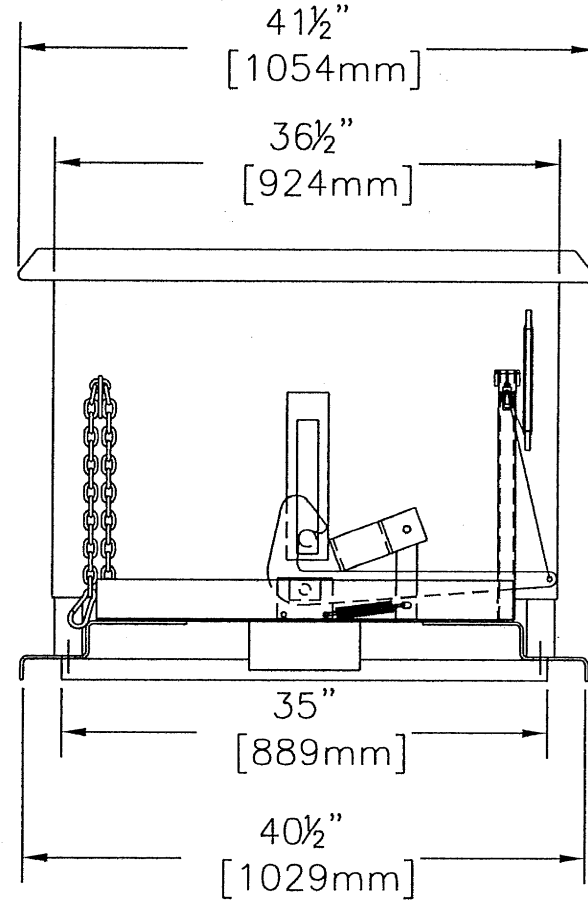
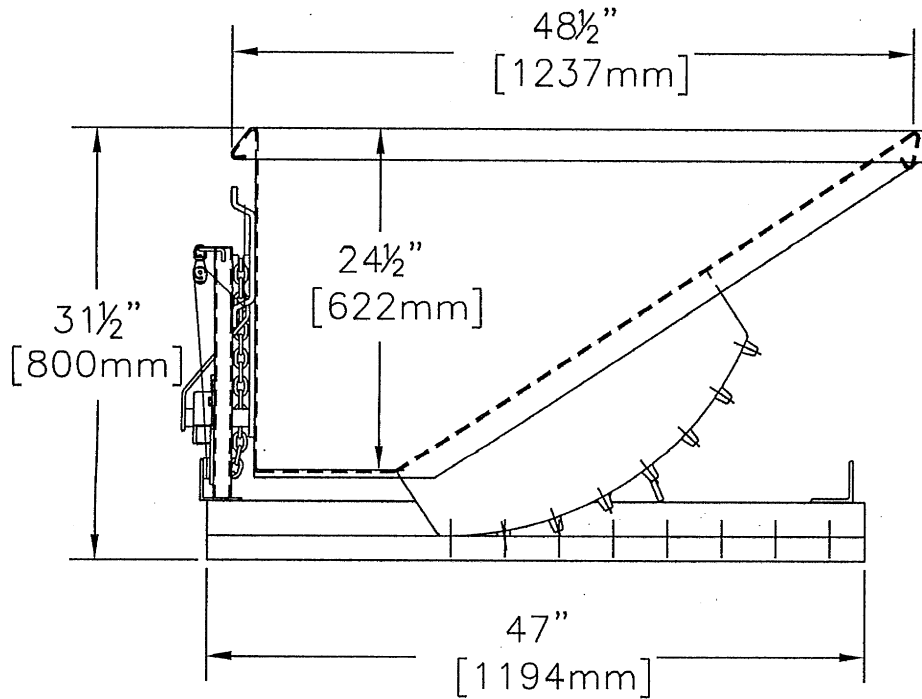


\*\*SPECIAL UNITS ARE NON-RETURNABLE  
 \*AVAILABLE AT ADDITIONAL COSTS

# STACKABLE STEEL SELF-DUMPING HOPPER, HOP-50-HD



## STANDARD FEATURES

MODEL NUMBER: HOP-50-HD  
 CAPACITY: 4,000 LBS.  
 VOLUME: 1/2 CUBIC YARDS  
 OVERALL WIDTH: 41 1/2"  
 OVERALL DEPTH: 48 1/2"  
 OVERALL HEIGHT: 31 1/2"

## SPECIAL FEATURES

NONE

\*\*Any additions, deletions or omissions must be corrected on this drawing, as this drawing will be considered all inclusive.\*\*

\*\*\* ALL GRAPHICS PROVIDED ARE FOR REFERENCE ONLY. IF CERTAIN DIMENSIONS ARE CRITICAL PLEASE VERIFY THOSE DIMENSIONS WITH YOUR SALESPERSON. \*\*\*

LEAD TIME WILL START UPON RECEIPT OF SIGNED APPROVAL DRAWING

## APPROVAL

I, the undersigned, hereby approve this print  
 As drawn     As marked  
 This includes my approval of design & dimensions.  
 Signed: \_\_\_\_\_  
 Date: \_\_\_\_\_

DISTRIBUTOR'S NAME:		P.O.#: _
<b>VESTIL MANUFACTURING</b>		V.O.#: _
DRAWN BY: SR	DATE: 5-31-06	SALES: _
REFERENCE:		DRWG./FILE NAME:
	SCALE: NTS	HOP-50-HD