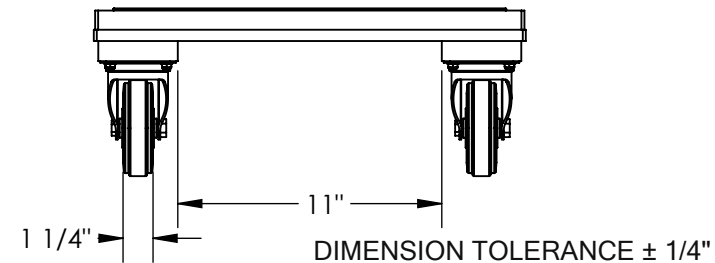
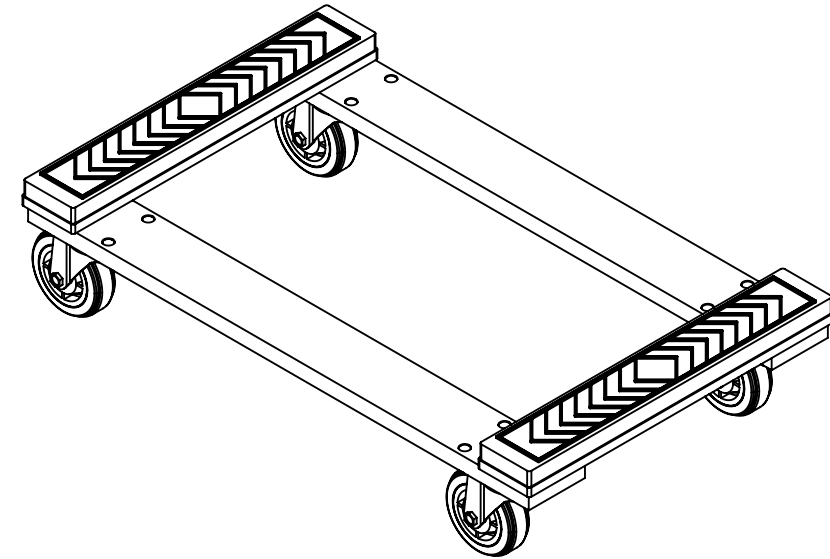
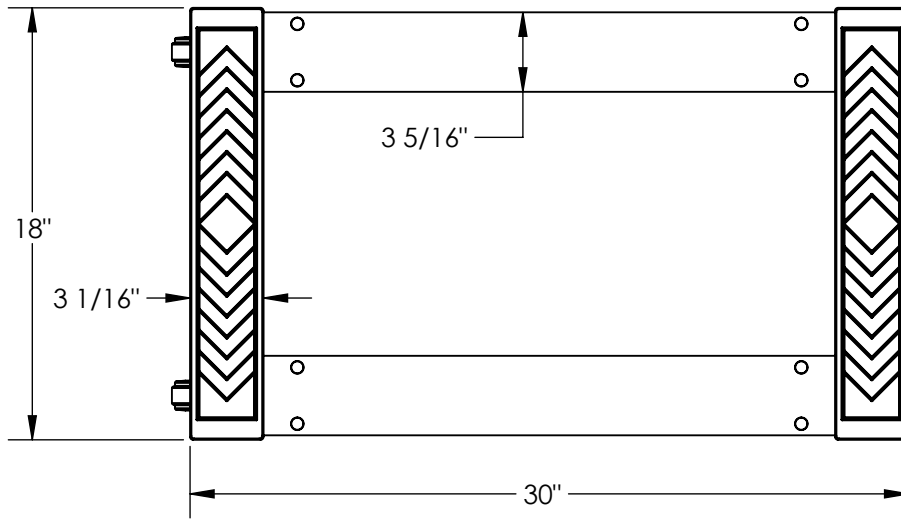


RUBBER END HARDWOOD DOLLY - HDOR-1830-12

APPROX WEIGHT: 20 lbs.
DOES NOT INCLUDE WEIGHT OF POWER OR PACKAGING!!!

*** ANY ADDITIONS, DELETIONS, OR OMISSIONS MUST BE CORRECTED ON THIS DRAWING AS THIS DRAWING WILL BE CONSIDERED ALL INCLUSIVE ***

ALL GRAPHICS PROVIDED ARE FOR REFERENCE ONLY. IF CERTAIN DIMENSIONS ARE CRITICAL PLEASE VERIFY THOSE DIMENSIONS WITH YOUR SALESPERSON

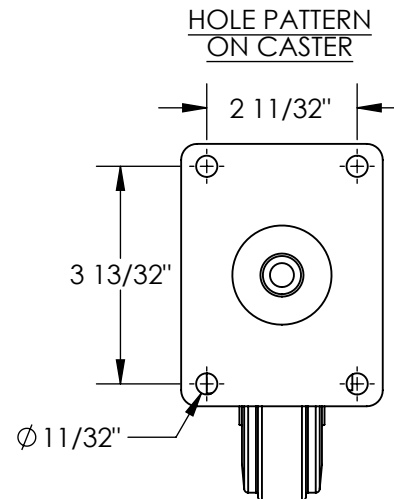


STANDARD FEATURES

MODEL NUMBER IS HDOR-1830-12
OVERALL WIDTH IS: 18"
OVERALL LENGTH IS: 30"
OVERALL HEIGHT IS: 7"
UNIFORM STATIC CAPACITY IS: 1,200 LBS.
INCLUDES (4) Ø4" x 1 1/4" HARD RUBBER SWIVEL CASTERS

SPECIAL FEATURES

NONE



SCALE 1:3

APPROVAL

I, THE UNDERSIGNED, AGREE THAT THE PRODUCT AS REPRESENTED SATISFIES DESIGN AND DIMENSION REQUIREMENTS. I ALSO ACKNOWLEDGE MY DUTY TO CONFIRM PRODUCT AND INSTALLATION COMPLIANCE WITH ALL APPLICABLE FEDERAL, STATE AND LOCAL REGULATIONS AND STANDARDS.
ALL SPECIAL UNITS ARE NON-RETURNABLE
[] As drawn [] As marked

Signed: _____ Date: _____

LEAD TIME WILL START UPON RECEIPT OF SIGNED APPROVAL DRAWING

DISTRIBUTOR'S NAME:		P.O.#
VESTIL MANUFACTURING		X
DRAWN BY: TJM		DATE: 01/24/12
REFERENCE: X		SCALE: 1:8
QUOTED LEAD TIME: X		QUOTE # X
		FILE NAME: 16-007-306