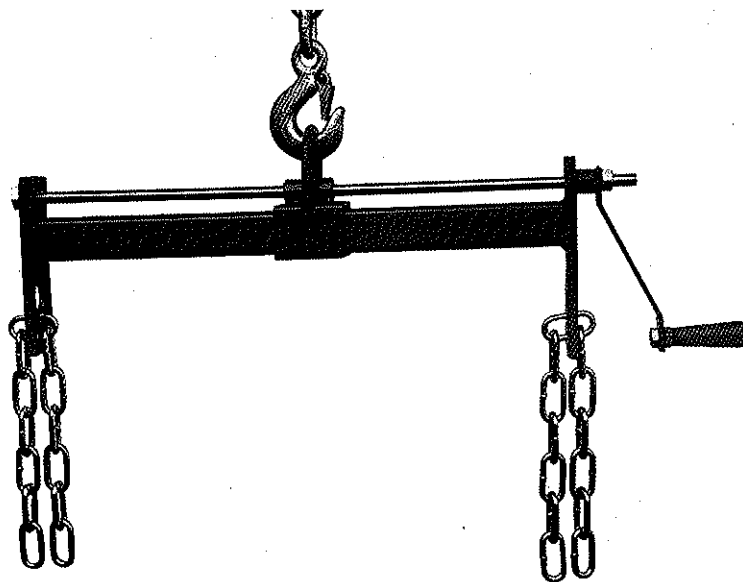


# 750KG LOAD LEVELER



Owners Manual and Operating Instructions

## **Safety Warning and Precautions**

**⚠ Warning:** When using tool, basic safety precautions should always be followed to reduce the risk of personal injury and damage to equipment. Read all instructions before using this tool!

- 1. Keep work area conditions.** Cluttered areas invite injuries.
- 2. Additional work area conditions.** Do not use machines or power tools in damp or wet locations. Do not expose to rain. Keep work area well lighted.
- 3. Keep children away.** Children must never be allowed in the work area. Do not let them handle machines, tools or extension cords.
- 4. Store idle equipment.** When not in use, tools must be stored in a dry location to inhibit rust. Always lock up tools and keep out of reach of children.
- 5. Use the right tool for the job.** Do not attempt to force a small tool or attachment to do the work of a larger industrial tool. There are certain applications for which this tool was designed. It will do the job better and more safely at the rate for which it was intended. Do not modify this tool and do not use this tool for a purpose for which it was not intended.
- 6. Dress properly.** Do not wear loose clothing or jewelry as they can be caught in moving parts. Protective, electrically non-conductive clothes and non-skid footwear are recommended when working. Wear restrictive hair covering to contain long hair.
- 7. Use eye protection.** Always wear ANSI approved impact safety glasses underneath a full face shield during use. Also, wear heavy duty work gloves.
- 8. Do not overreach.** Keep proper footing and balance at all times. Do not reach over or across running machines.
- 9. Maintain tools with care.** Keep tools sharp and clean for better and safer performance. Follow instructions for lubricating and changing accessories. The handles must be kept clean, dry and free from oil and grease at all times.
- 10. Remove adjusting keys and wrenches.** Check that keys and adjusting wrenches are removed from the tool or machine work surface before starting work.
- 11. Stay alert.** Watch what you are doing, use common sense. Do not operate any tool when you are tired.
- 12. Check for damaged parts.** Before using any tool, any part that appears damaged should be carefully checked to determine that it will operate properly and perform its intended function. Any part that is damaged should be replaced.
- 13. Replacement parts and accessories.** When servicing, use only identical replacement parts. Use of any other parts will void the warranty. Only use accessories intended for use with this tool.
- 14. Do not operate tools if under the influence of alcohol or drugs.** Read warning label on prescriptions to determine if your judgment or reflexes are impaired while taking drugs. If there is any doubt, do not operate the tool.

**⚠ WARNING:** The warnings, cautions and instructions discussed in this instruction manual can not cover all possible conditions and situations that may occur. It must be understood by the operator that common sense and caution are factors which can not be built into this product, but must be supplied by the operator.

# Operating Instructions

## Before Operating

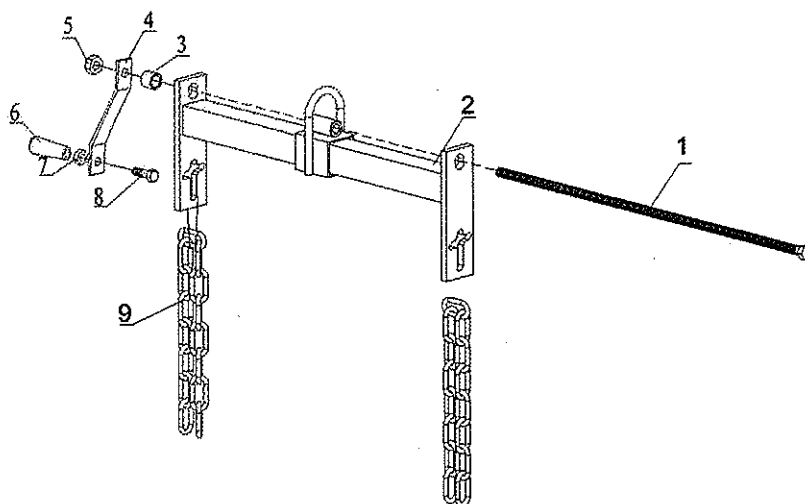
1. Before operating your Load Leveler, check for damaged parts. Before using any tool, any part that appears damaged should be carefully checked to determine that it will operate properly and perform its intended function.
2. Do not exceed the tools, maximum capacity (750KG). Never force the tool or attachment to do the work for a larger industrial too. It is designed to do the job better and more safety at the rate for which it was intended.
3. Do not try to use inappropriate attachments in an attempt to exceed the tool's capacity.

## Assembly

**NOTE:** It is important that you read the entire manual to become familiar with the unit BEFORE you use it. Be sure that you have all parts described in the Parts List.

1. Insert (#1) Threaded Rod thru 15mm hole in either end of part (#2) Main Body passing thru M12 Rod Coupler and other end of Main Body.
2. Place part (#3) Spacer over the end of part (#1) Threaded Rod which does not have the M12 nut welded to it.
3. Screw part (#4) Crank Arm approximately M12 onto the same end of Threaded Rod as the Spacer. Now screw part (#5) M12 Nut onto Threaded Rod. Then turn M12 nut clockwise while turning Crank Arm counter clockwise so as to lock Crank Arm into position.
4. Take part (#8) M10x30 bolt and pass through part (#6) Crank Handle and attach to Crank Arm using (#7) M10 Nut.

### Parts Drawing



Ref#	Description	Qty	Ref#	Description	Qty
1	Threaded Rod	1	6	Crank Handle	1
2	Main Body	1	7	Nut M10	1
3	Spacer	1	8	Bolt M10x30	1
4	Crank Arm	1	9	Chain	2
5	Nut M12	1			

## LIMITED WARRANTY

Vestil Manufacturing Corporation (“Vestil”) warrants this product to be free of defects in material and workmanship during the warranty period. *Our warranty obligation is to provide a replacement for a defective original part if the part is covered by the warranty, after we receive a proper request from the warrantee (you) for warranty service.*

### Who may request service?

Only a warrantee may request service. *You are a warrantee if you purchased the product from Vestil or from an authorized distributor AND Vestil has been fully paid.*

### What is an “original part”?

An original part is a part used to make the product as shipped to the warrantee.

### What is a “proper request”?

A request for warranty service is proper if Vestil receives: 1) a photocopy of the Customer Invoice that displays the shipping date; AND 2) a written request for warranty service including your name and phone number. Send requests by any of the following methods:

Mail  
Vestil Manufacturing Corporation  
2999 North Wayne Street, PO Box 507  
Angola, IN 46703

Fax  
(260) 665-1339  
Phone  
(260) 665-7586

Email  
sales@vestil.com

In the written request, list the parts believed to be defective and include the address where replacements should be delivered.

### What is covered under the warranty?

After Vestil receives your request for warranty service, an authorized representative will contact you to determine whether your claim is covered by the warranty. Before providing warranty service, Vestil may require you to send the entire product, or just the defective part or parts, to its facility in Angola, IN. The warranty covers defects in the following *original* dynamic components: motors, hydraulic pumps, electronic controllers, switches and cylinders. It also covers defects in *original* parts that wear under normal usage conditions (“wearing parts”): bearings, hoses, wheels, seals, brushes, batteries, and the battery charger.

### How long is the warranty period?

The warranty period for original components is 30 days. The warranty period begins on the date when Vestil ships the product to the warrantee. If the product was purchased from an authorized distributor, the period begins when the distributor ships the product. Vestil may extend the warranty period for products shipped from authorized distributors by *up to 30 days* to account for shipping time.

### If a defective part is covered by the warranty, what will Vestil do to correct the problem?

Vestil will provide an appropriate replacement for any *covered* part. An authorized representative of Vestil will contact you to discuss your claim.

### What is not covered by the warranty?

1. Labor;
2. Freight;
3. Occurrence of any of the following, which automatically voids the warranty:
  - Product misuse;
  - Negligent operation or repair;
  - Corrosion or use in corrosive environments;
  - Inadequate or improper maintenance;
  - Damage sustained during shipping;
  - Collisions or other incidental contacts causing damage to the product;
  - Unauthorized modifications: DO NOT modify the product IN ANY WAY without first receiving written authorization from Vestil. Modification(s) might make the product unsafe to use or might cause excessive and/or abnormal wear.

### Do any other warranties apply to the product?

Vestil Manufacturing Corp. makes no other express warranties. All implied warranties are disclaimed to the extent allowed by law. Any implied warranty not disclaimed is limited in scope to the terms of this Limited Warranty.

