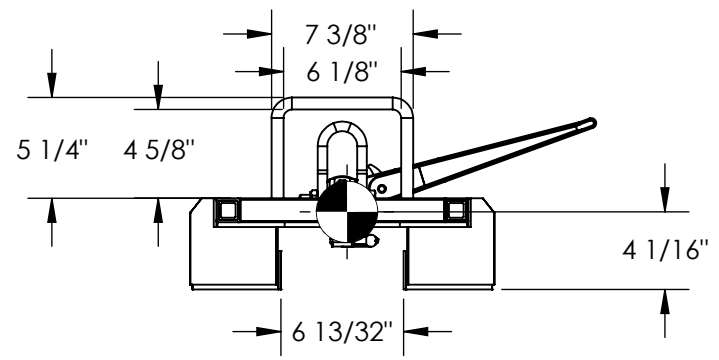
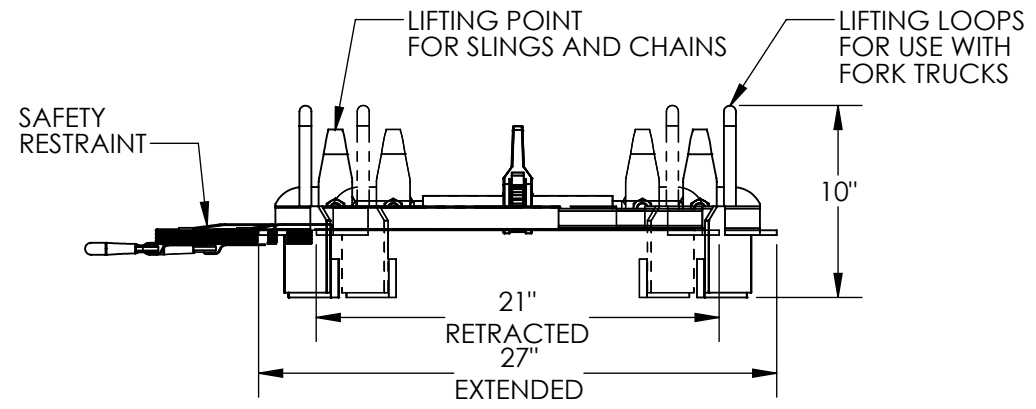
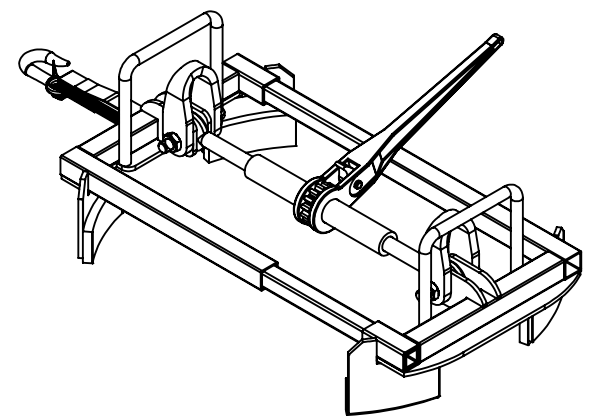
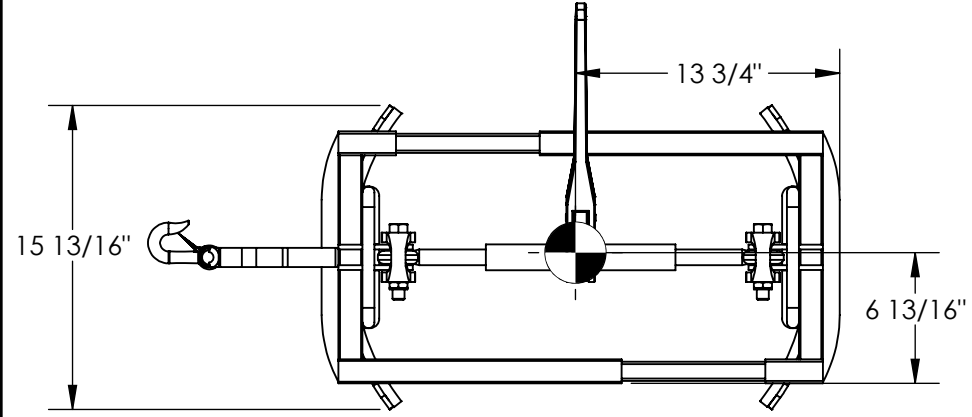


HEAVY DUTY DRUM LIFTER - HDDL-55

APPROX WEIGHT: 44.56 lbs.
 DOES NOT INCLUDE WEIGHT OF POWER OR PACKAGING!!!

*** ANY ADDITIONS, DELETIONS, OR OMISSIONS MUST BE CORRECTED ON THIS DRAWING AS THIS DRAWING WILL BE CONSIDERED ALL INCLUSIVE ***

ALL GRAPHICS PROVIDED ARE FOR REFERENCE ONLY. IF CERTAIN DIMENSIONS ARE CRITICAL PLEASE VERIFY THOSE DIMENSIONS WITH YOUR SALESPERSON



DIMENSION TOLERANCE ± 1/4"

STANDARD FEATURES

- MODEL NUMBER IS HDDL-55
- OVERALL WIDTH IS 15 13/16"
- EXTENDED LENGTH IS 27"
- RETRACTED LENGTH IS 21"
- OVERALL HEIGHT IS 10"
- MAX CAPACITY IS 1500 LBS.
- DESIGNED FOR LIFTING 55 GAL. CLOSED-HEAD DRUMS IN THE VERTICAL POSITION
- INTEGRAL LOOPS INCLUDED FOR USE WITH FORK TRUCK FORKS/TINES
- USABLE FORK POCKET HEIGHT IS 4 5/8"
- USABLE FORK POCKET WIDTH IS 6 1/8"
- INCLUDES LIFTING POINTS FOR ATTACHING SLINGS OR CHAINS
- INCLUDES SAFETY RESTRAINT
- TOUGH BAKED IN POWDER COATED BLUE FINISH

APPROX. WEIGHT/ LOST LOAD= 45 LBS. (APPROX)
 MINIMUM EFFECTIVE THICKNESS= ADJUSTABLE
 NEVER EXCEED LOAD CENTER RATING PER FORK TRUCK MANUFACTURER'S GUIDELINES.
 DO NOT USE THIS FORK TRUCK ATTACHMENT IF LOAD WILL EXCEED FORK TRUCK MANUFACTURER'S LOAD CENTER RATING.

SPECIAL FEATURES

NONE

APPROVAL	I, THE UNDERSIGNED, AGREE THAT THE PRODUCT AS REPRESENTED SATISFIES DESIGN AND DIMENSION REQUIREMENTS. I ALSO ACKNOWLEDGE MY DUTY TO CONFIRM PRODUCT AND INSTALLATION COMPLIANCE WITH ALL APPLICABLE FEDERAL, STATE AND LOCAL REGULATIONS AND STANDARDS.	
	UNITS REQUIRING APPROVAL DRAWINGS OR MODIFIED ARE NON-RETURNABLE	
	[] As drawn	[] As marked
Signed: _____		Date: _____
Printed Name: _____		
LEAD TIME WILL START UPON RECEIPT OF SIGNED APPROVAL DRAWING		

DISTRIBUTOR'S NAME:		P.O.#
VESTIL MANUFACTURING		X
		W.O.#
DRAWN BY: TJM	DATE: 06/10/11	X
REFERENCE: X	SCALE: 1:10	FILE NAME:
QUOTED LEAD TIME: X	QUOTE # X	09-007-143