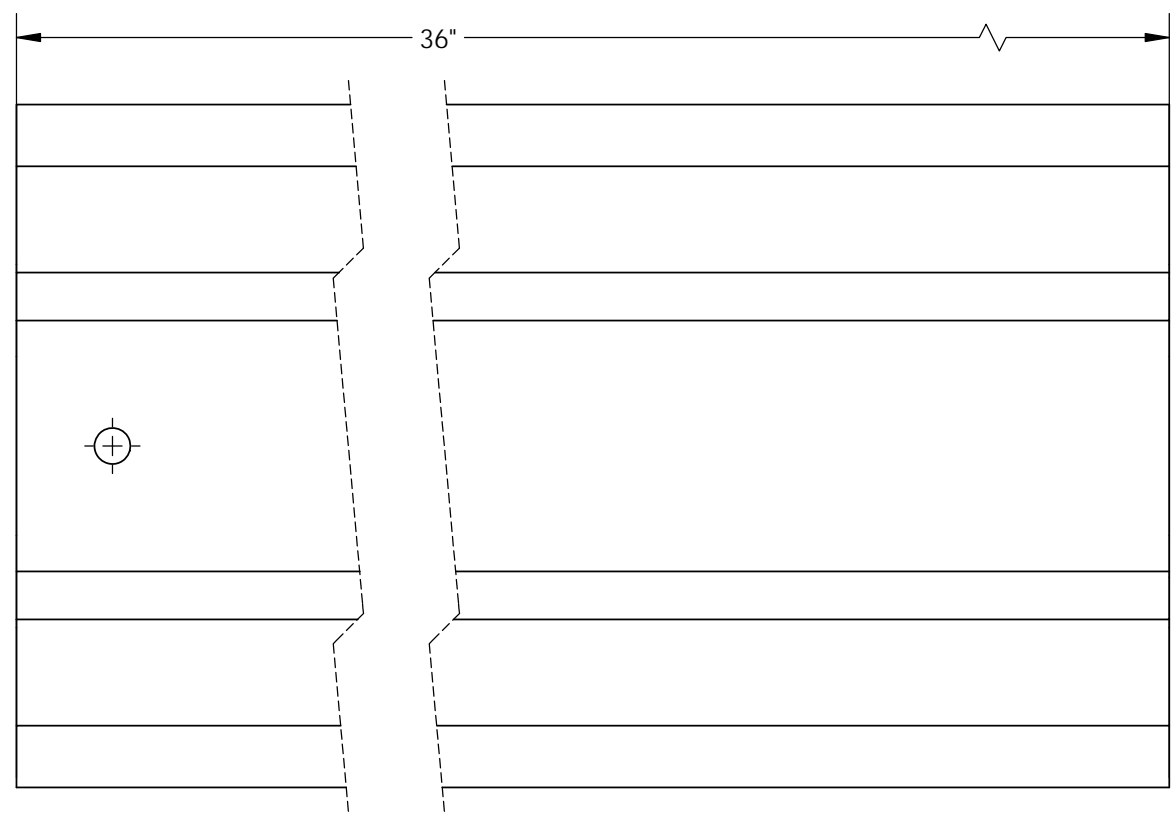
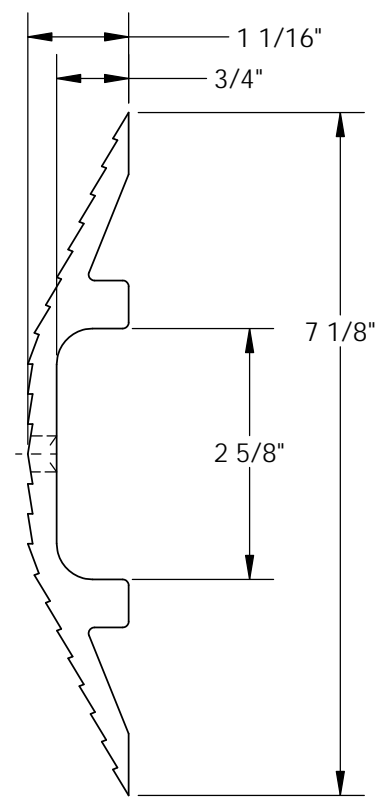


# EXTRUDED ALUMINUM HOSE & CABLE CROSSOVER RAMP - HCR-36-Y

APPROX WEIGHT: 8.50 lbs.  
 DOES NOT INCLUDE WEIGHT OF POWER OR PACKAGING!!!

\*\*\* ANY ADDITIONS, DELETIONS, OR OMISSIONS MUST BE CORRECTED ON THIS DRAWING AS THIS DRAWING WILL BE CONSIDERED ALL INCLUSIVE \*\*\*

ALL GRAPHICS PROVIDED ARE FOR REFERENCE ONLY. IF CERTAIN DIMENSIONS ARE CRITICAL PLEASE VERIFY THOSE DIMENSIONS WITH YOUR SALESPERSON



**NOTE:** HOLE IS FOR POWDER COATED UNITS ONLY

## STANDARD FEATURES

- MODEL NUMBER: HCR-36-Y
- SINGLE WHEEL CAPACITY: 10,000 LBS
- OVERALL WIDTH: 7 1/8"
- OVERALL LENGTH: 36"
- OVERALL HEIGHT: 1 1/16"
- USABLE WIDTH: 2 5/8"
- USABLE HEIGHT: 3/4"
- FINISH: YELLOW

## SPECIAL FEATURES

NONE

DIMENSION TOLERANCE ± 1/2"

A P P R O V A L	I, THE UNDERSIGNED, AGREE THAT THE PRODUCT AS REPRESENTED SATISFIES DESIGN AND DIMENSION REQUIREMENTS. I ALSO ACKNOWLEDGE MY DUTY TO CONFIRM PRODUCT AND INSTALLATION COMPLIANCE WITH ALL APPLICABLE FEDERAL, STATE AND LOCAL REGULATIONS AND STANDARDS.	
	<b>ANY MODIFIED UNITS ARE NON-RETURNABLE</b>	
	[ ] As drawn	[ ] As marked
	Signed: _____	Date: _____
Printed Name: _____		
<b>LEAD TIME WILL START UPON RECEIPT OF SIGNED APPROVAL DRAWING</b>		

FOR INTERNAL USE ONLY PROJECT SIGN OFF	
SALES	
ENG.	
FAB.	
POWER	

DISTRIBUTOR'S NAME:		P.O.#
VESTIL MANUFACTURING		X
DRAWN BY: K.YEAKLE		W.O.#
DATE: 05/10/12		X
REFERENCE: X	SCALE: 1:2	SALES: X
QUOTED LEAD TIME: X	QUOTE #	FILE NAME:
	X	29-007-044-003