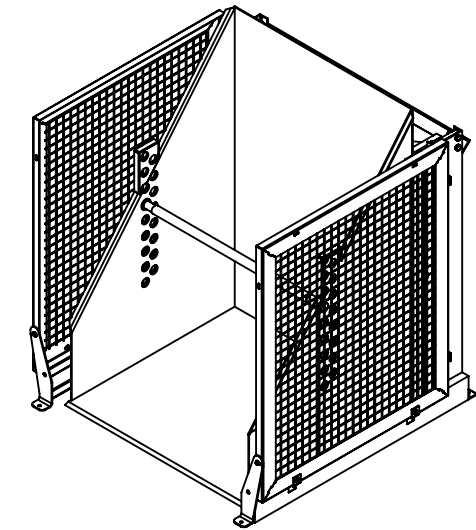
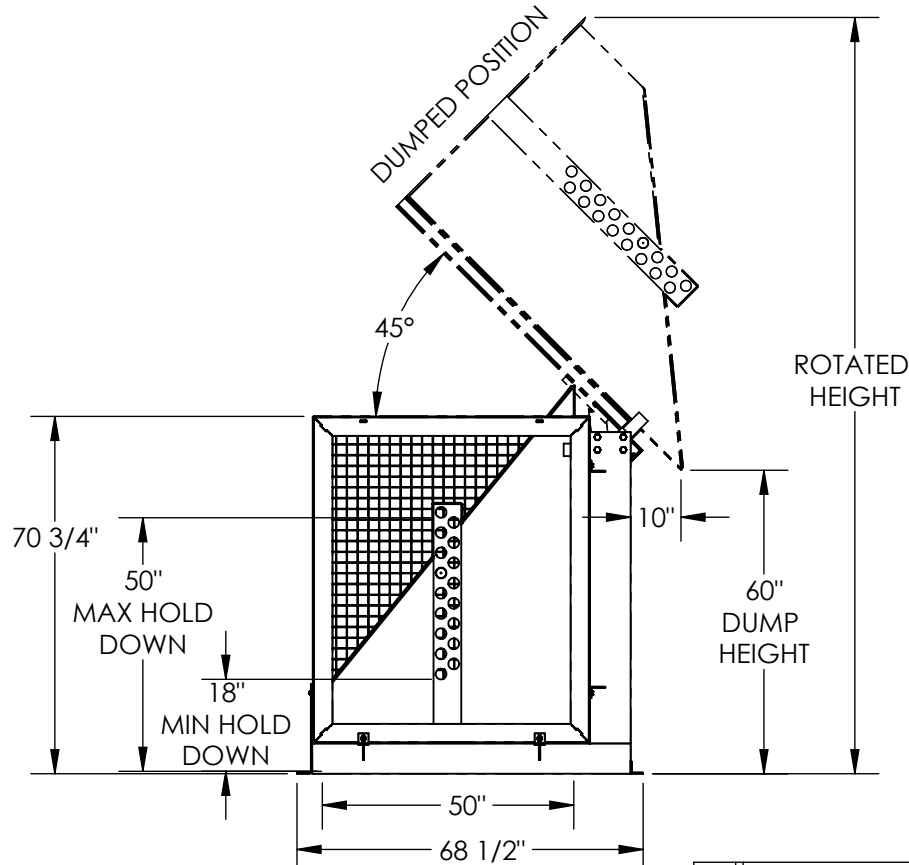
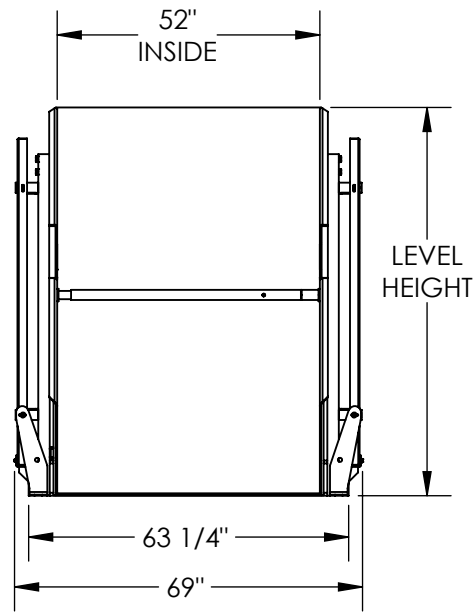


HYDRAULIC BOX DUMPER- HBD-2-60

APPROX WEIGHT: 1937.92 lbs.
 DOES NOT INCLUDE WEIGHT OF POWER OR PACKAGING!!!

*** ANY ADDITIONS, DELETIONS, OR OMISSIONS MUST BE CORRECTED ON THIS DRAWING AS THIS DRAWING WILL BE CONSIDERED ALL INCLUSIVE ***
 ALL GRAPHICS PROVIDED ARE FOR REFERENCE ONLY. IF CERTAIN DIMENSIONS ARE CRITICAL PLEASE VERIFY THOSE DIMENSIONS WITH YOUR SALESPERSON



STANDARD FEATURES

HYDRAULIC BOX DUMPER
 MODEL NUMBER IS HBD-2-60
 CHUTE IS 52" W X 50" L (USABLE)
 DUMPER CAPACITY IS 2000 LBS.
 DUMP HEIGHT IS 60"
 HOLD DOWN WILL ACCEPT BOXES
 18" TO 50" HIGH W/ HOLES EVERY 2"
 FRAME WIDTH IS 69"
 FRAME LENGTH IS 68 1/2"
 LEVEL HEIGHT IS 77"
 ROTATED HEIGHT IS 149 1/2"
 DUMP ANGLE IS 45°
 CHROME PLATED CYLINDER WITH
 EMERGENCY STOP VELOCITY FUSE
 WARNING: CHECK STATE AND LOCAL CODES!!
 FRAME AND CHUTE DURABLE LIQUID PAINT BLUE FINISH
 GUARDS AND HOLD DOWN BAR TOUGH BAKED IN POWDER COATED YELLOW FINISH

NOTE: SINGLE PH. PLUG-IN UNITS WILL HAVE
 APPROX 120 SEC DUMP / 33 SEC LOWER

PLEASE CIRCLE SPECIFICATIONS:

| | | | |
|--------------------------------------|--|--|---|
| POWER | <input checked="" type="checkbox"/> AC | <input type="checkbox"/> * DC | <input type="checkbox"/> * AIR/OIL |
| MOTOR VOLTAGE | <input type="checkbox"/> 115 | <input type="checkbox"/> 208 | <input checked="" type="checkbox"/> 230 |
| DEDICATED CIRCUIT REQUIRED | | | |
| MOTOR PHASE | <input type="checkbox"/> SINGLE | <input checked="" type="checkbox"/> THREE | |
| CONTROL | <input checked="" type="checkbox"/> HAND | <input type="checkbox"/> * FOOT | |
| ~ ALL BATTERY CHARGERS ARE 115V AC ~ | | | |
| * BATTERY CHRG. | <input type="checkbox"/> REMOTE | <input checked="" type="checkbox"/> ON-BOARD | |
| * CHRG. INDICATOR | <input checked="" type="checkbox"/> YES | <input type="checkbox"/> NO | |

* AVAILABLE AT ADDITIONAL COST

SPECIAL FEATURES

NONE

DIMENSION TOLERANCE ± 1/4"

APPROVAL

I, THE UNDERSIGNED, AGREE THAT THE PRODUCT AS REPRESENTED SATISFIES DESIGN AND DIMENSION REQUIREMENTS. I ALSO ACKNOWLEDGE MY DUTY TO CONFIRM PRODUCT AND INSTALLATION COMPLIANCE WITH ALL APPLICABLE FEDERAL, STATE AND LOCAL REGULATIONS AND STANDARDS.

UNITS REQUIRING APPROVAL DRAWINGS OR MODIFIED ARE NON-RETURNABLE

As drawn As marked

Signed: _____ Date: _____

Printed Name: _____

LEAD TIME WILL START UPON RECEIPT OF SIGNED APPROVAL DRAWING

DISTRIBUTOR'S NAME: _____ P.O.# X

VESTIL MANUFACTURING W.O.# X

DRAWN BY: CA DATE: 06/23/2011 SALES: X

REFERENCE: X SCALE: 1:38 FILE NAME: _____

QUOTED LEAD TIME: X QUOTE # X 34-007-006