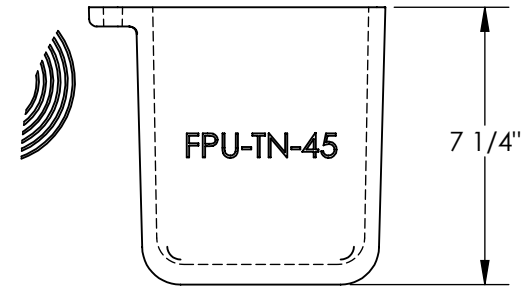
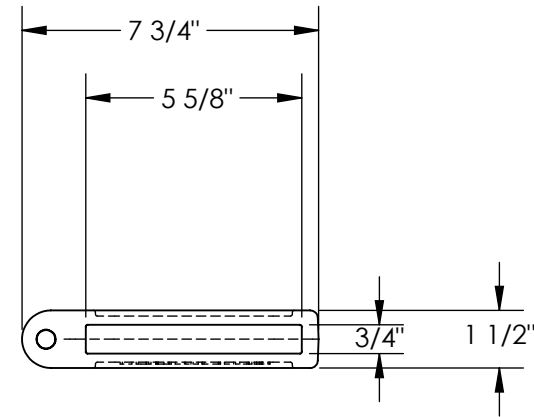
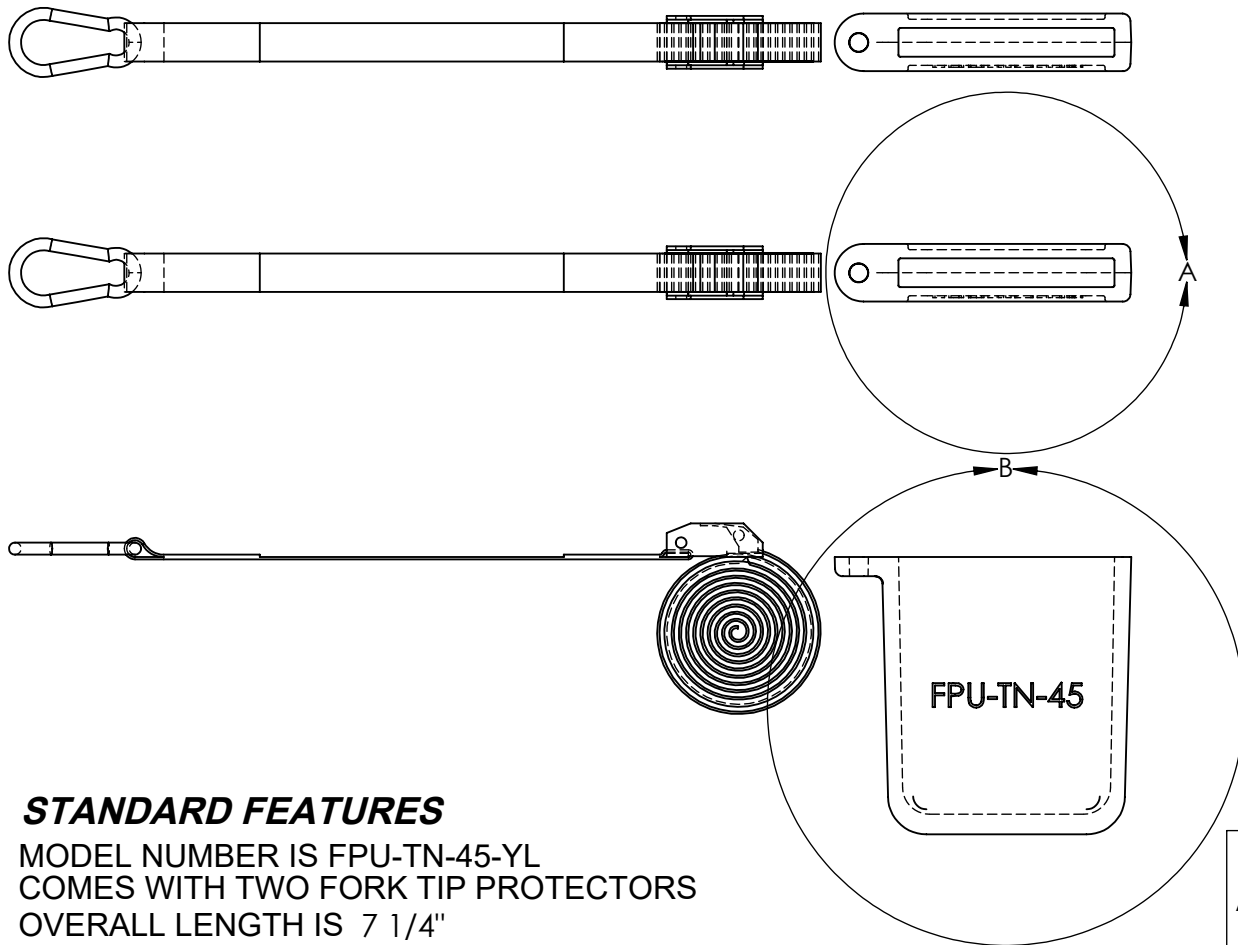


FORK TIP PROTECTOR - FPU-TN-45-YL

APPROX WEIGHT: 4.3927 lbs.
DOES NOT INCLUDE WEIGHT OF POWER OR PACKAGING!!!

*** ANY ADDITIONS, DELETIONS, OR OMISSIONS MUST BE CORRECTED ON THIS DRAWING AS THIS DRAWING WILL BE CONSIDERED ALL INCLUSIVE ***

ALL GRAPHICS PROVIDED ARE FOR REFERENCE ONLY. IF CERTAIN DIMENSIONS ARE CRITICAL PLEASE VERIFY THOSE DIMENSIONS WITH YOUR SALESPERSON



STANDARD FEATURES

- MODEL NUMBER IS FPU-TN-45-YL
- COMES WITH TWO FORK TIP PROTECTORS
- OVERALL LENGTH IS 7 1/4"
- OVERALL WIDTH IS 7 3/4"
- OVERALL HEIGHT IS 1 1/2"
- FORK POCKET IS 5 5/8" X 3/4"
- FOR USE WITH 4" AND 5" WIDE FORKS
- COMES WITH 6' LONG NYLON STRAP AND HOOK
- FOR ATTACHING TO FORK TRUCK CARRIAGE
- COLOR IS YELLOW FOR USER SAFETY
- MADE FROM POLYURETHANE

SPECIAL FEATURES

NONE

DIMENSION TOLERANCE ± 1/4"

APPROVAL	I, THE UNDERSIGNED, AGREE THAT THE PRODUCT AS REPRESENTED SATISFIES DESIGN AND DIMENSION REQUIREMENTS. I ALSO ACKNOWLEDGE MY DUTY TO CONFIRM PRODUCT AND INSTALLATION COMPLIANCE WITH ALL APPLICABLE FEDERAL, STATE AND LOCAL REGULATIONS AND STANDARDS.	
	ANY MODIFIED UNITS ARE NON-RETURNABLE	
	[] As drawn [] As marked	
Signed: _____		Date: _____
Printed Name: _____		
LEAD TIME WILL START UPON RECEIPT OF SIGNED APPROVAL DRAWING		

FOR INTERNAL USE ONLY PROJECT SIGN OFF	
SALES	
ENG.	
FAB.	
POWER	

DISTRIBUTOR'S NAME:		P.O.#
VESTIL MANUFACTURING		X
DRAWN BY: KGH		W.O.#
DATE: 8/9/2018		X
REFERENCE: X	SCALE: 1:5	SALES: X
QUOTED LEAD TIME: X	QUOTE #	FILE NAME:
	X	29-007-325-001