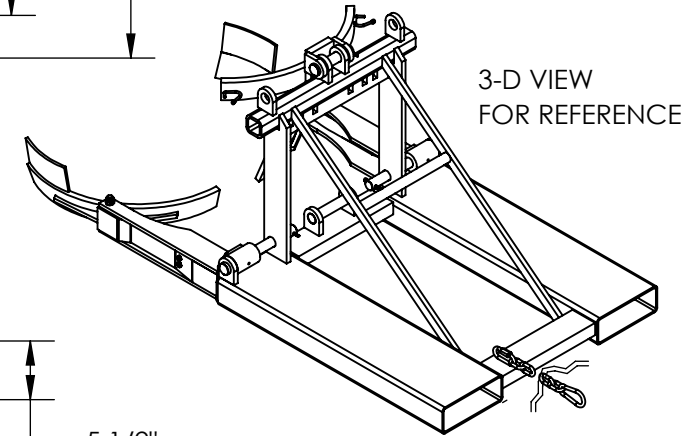
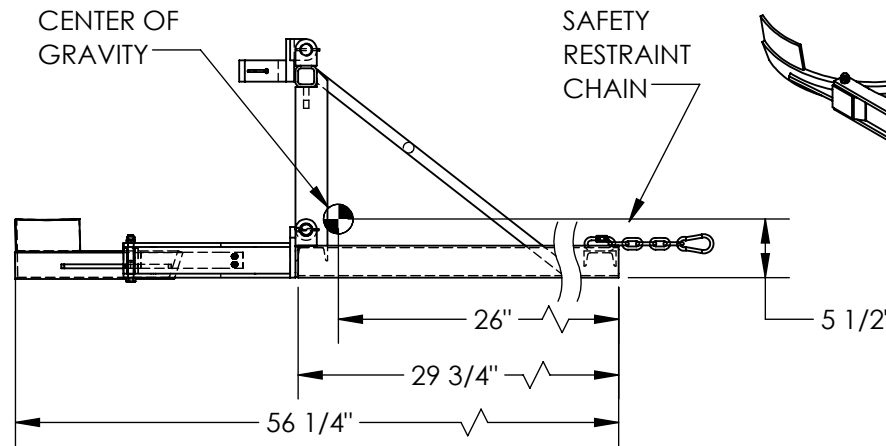
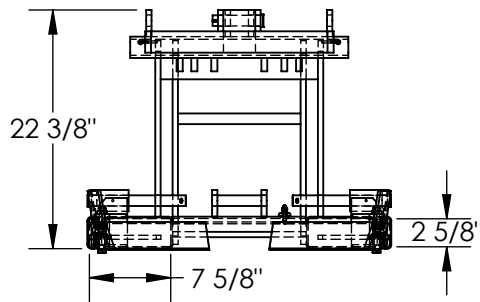
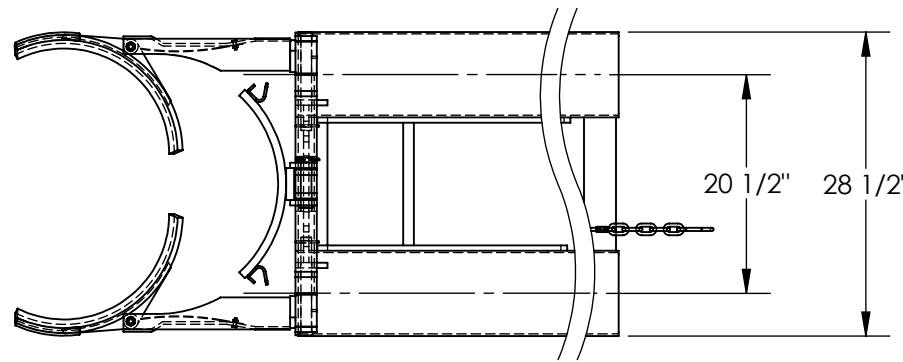


FORK MOUNTED POLY DRUM HANDLER - FPDL-8-L

APPROX WEIGHT: 189.85 lbs.
DOES NOT INCLUDE WEIGHT OF POWER OR PACKAGING!!!

*** ANY ADDITIONS, DELETIONS, OR OMISSIONS MUST BE CORRECTED ON THIS DRAWING AS THIS DRAWING WILL BE CONSIDERED ALL INCLUSIVE ***

ALL GRAPHICS PROVIDED ARE FOR REFERENCE ONLY. IF CERTAIN DIMENSIONS ARE CRITICAL PLEASE VERIFY THOSE DIMENSIONS WITH YOUR SALESPERSON



3-D VIEW
FOR REFERENCE

STANDARD FEATURES

- MODEL NUMBER IS FPDL-8-L
- CAPACITY IS 800 LBS. (ONE DRUM)
- OVERALL WIDTH IS 28 1/2"
- OVERALL LENGTH IS 56 1/4"
- OVERALL HEIGHT IS 22 3/8"
- BOTTOM GRIP HANDLER FOR USE WITH 55 GALLON PLASTIC DRUMS WITH TAPERED ROUND BOTTOMS
- DRUM HEAD CAN BE OPEN OR CLOSED
- INCLUDES A RATCHET STRAP TO SECURE THE DRUM TO THE UNIT (NOT SHOWN)
- INCLUDES A SAFETY RESTRAINT CHAIN TO SECURE UNIT TO FORK TRUCK
- WELDED STEEL CONSTRUCTION
- TOUGH BAKED IN POWDER COAT BLUE AND YELLOW FINISH
- USABLE FORK POCKETS ARE 7 5/8" W X 2 5/8" H
- FORK POCKETS ARE ON 20 1/2" CENTERS
- LOST LOAD IS 195 LBS (APPROX)
- EFFECTIVE THICKNESS IS FORK LENGTH MINUS 29 3/4"

NEVER EXCEED LOAD CENTER RATING PER FORK TRUCK MANUFACTURER'S GUIDELINES. DO NOT USE THIS FORK TRUCK ATTACHEMENT IF LOAD WILL EXCEED FORK TRUCK MANUFACTURER'S LOAD CENTER RATING.

SPECIAL FEATURES NONE

DIMENSION TOLERANCE ± 1/4"

APPROVAL	I, THE UNDERSIGNED, AGREE THAT THE PRODUCT AS REPRESENTED SATISFIES DESIGN AND DIMENSION REQUIREMENTS. I ALSO ACKNOWLEDGE MY DUTY TO CONFIRM PRODUCT AND INSTALLATION COMPLIANCE WITH ALL APPLICABLE FEDERAL, STATE AND LOCAL REGULATIONS AND STANDARDS.	
	ANY MODIFIED UNITS ARE NON-RETURNABLE	
	[] As drawn [] As marked	
Signed: _____		Date: _____
Printed Name: _____		
LEAD TIME WILL START UPON RECEIPT OF SIGNED APPROVAL DRAWING		

FOR INTERNAL USE ONLY PROJECT SIGN OFF	
SALES	
ENG.	
FAB.	
POWER	

DISTRIBUTOR'S NAME:		P.O.#
VESTIL MANUFACTURING		X
W.O.#		X
DRAWN BY: MTS	DATE: 12/6/2017	SALES: X
REFERENCE: X	SCALE: 1:18	FILE NAME:
QUOTED LEAD TIME: X	QUOTE # X	40-007-008