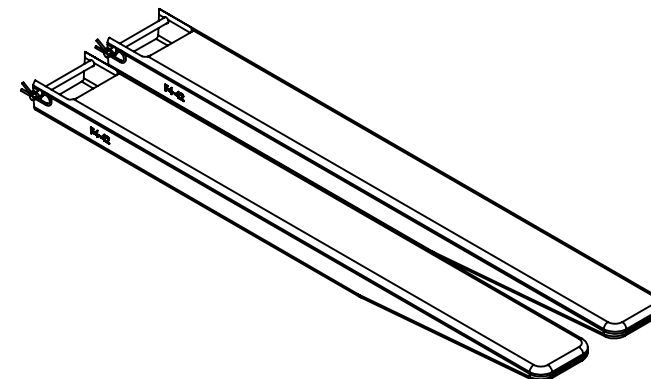
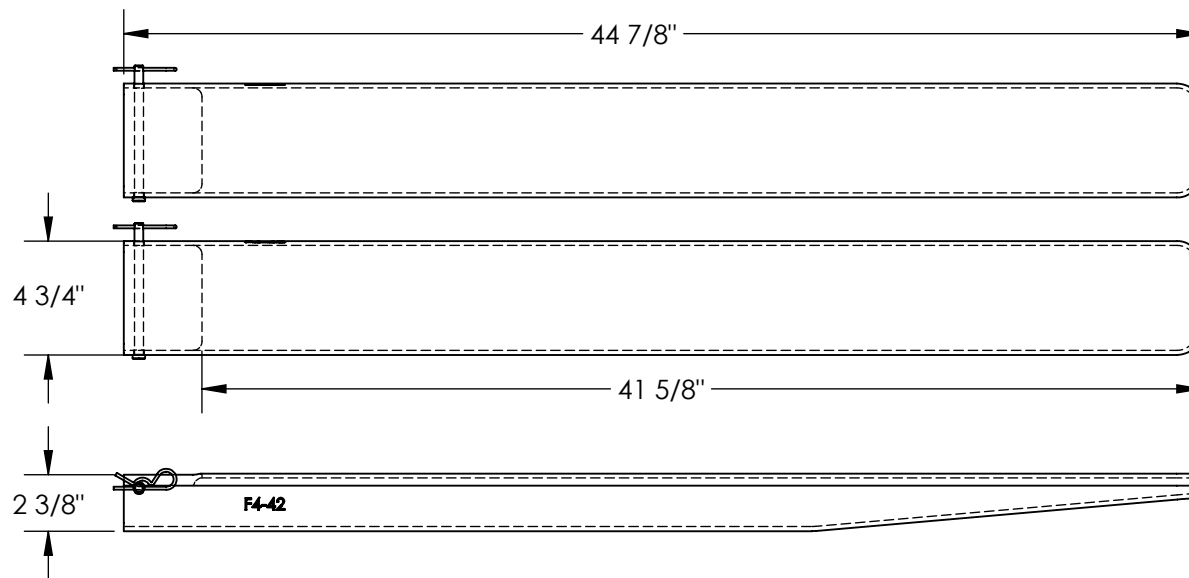


FORK BLADE PROTECTOR - F4-42

APPROX WEIGHT: 7.15 lbs.
DOES NOT INCLUDE WEIGHT OF POWER OR PACKAGING!!!

*** ANY ADDITIONS, DELETIONS, OR OMISSIONS MUST BE CORRECTED ON THIS DRAWING AS THIS DRAWING WILL BE CONSIDERED ALL INCLUSIVE ***

ALL GRAPHICS PROVIDED ARE FOR REFERENCE ONLY. IF CERTAIN DIMENSIONS ARE CRITICAL PLEASE VERIFY THOSE DIMENSIONS WITH YOUR SALESPERSON



**ONLY FOR USE WITH
4" W X 42" L FORKS
UP TO 2" THICK**

**PRODUCT NOT FOR USE
AS FORK EXTENSION**

STANDARD FEATURES

MODEL NUMBER IS F4-42
OVERALL WIDTH IS 4 3/4"
OVERALL LENGTH IS 44 7/8"
OVERALL HEIGHT IS 2 3/8"
MADE FROM YELLOW POLYETHYLENE

SPECIAL FEATURES

NONE

DIMENSION TOLERANCE $\pm 1/2"$

APPROVAL	I, THE UNDERSIGNED, AGREE THAT THE PRODUCT AS REPRESENTED SATISFIES DESIGN AND DIMENSION REQUIREMENTS. I ALSO ACKNOWLEDGE MY DUTY TO CONFIRM PRODUCT AND INSTALLATION COMPLIANCE WITH ALL APPLICABLE FEDERAL, STATE AND LOCAL REGULATIONS AND STANDARDS.	
	ANY MODIFIED UNITS ARE NON-RETURNABLE	
	[] As drawn [] As marked	
	Signed: _____ Date: _____	
Printed Name: _____		
LEAD TIME WILL START UPON RECEIPT OF SIGNED APPROVAL DRAWING		

FOR INTERNAL USE ONLY PROJECT SIGN OFF	
SALES	
ENG.	
FAB.	
POWER	

DISTRIBUTOR'S NAME:		P.O.#
VESTIL MANUFACTURING		X
W.O.#		X
DRAWN BY:	W.BURKHART	DATE: 12/29/14
SALES:		X
REFERENCE:	X	SCALE: 1:8
FILE NAME:		47-007-028
QUOTED LEAD TIME:	X	QUOTE #
		X