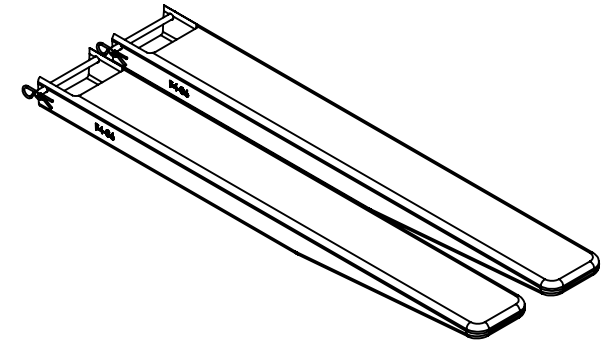
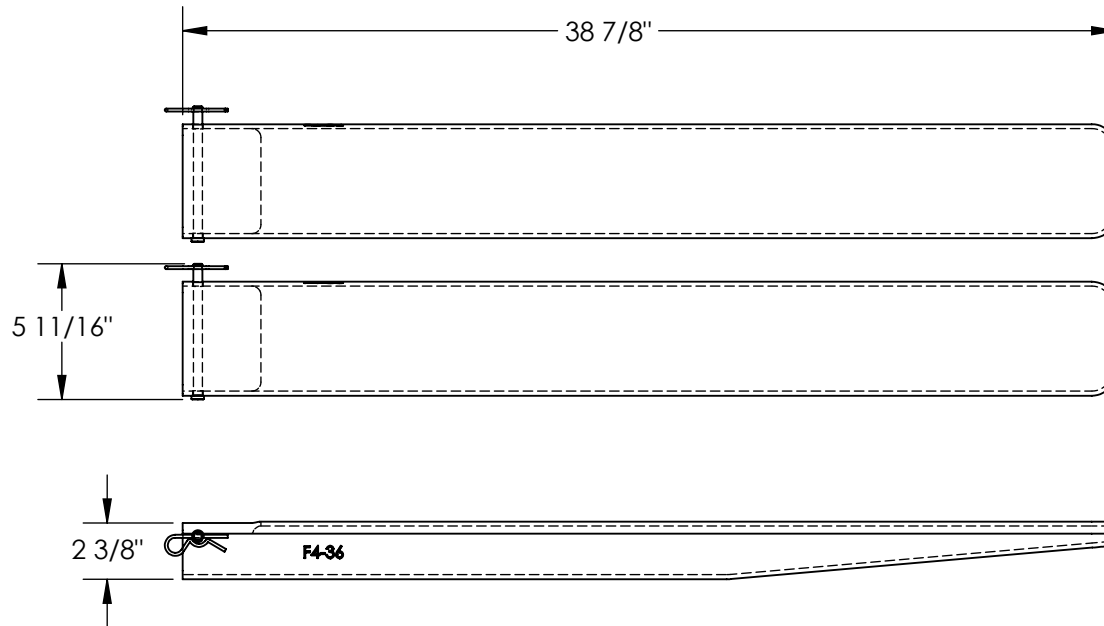


# FORK BLADE PROTECTOR - F4-36

APPROX WEIGHT: 6.19 lbs.  
 DOES NOT INCLUDE WEIGHT OF POWER OR PACKAGING!!!

\*\*\* ANY ADDITIONS, DELETIONS, OR OMISSIONS MUST BE CORRECTED ON THIS DRAWING AS THIS DRAWING WILL BE CONSIDERED ALL INCLUSIVE \*\*\*

ALL GRAPHICS PROVIDED ARE FOR REFERENCE ONLY. IF CERTAIN DIMENSIONS ARE CRITICAL PLEASE VERIFY THOSE DIMENSIONS WITH YOUR SALESPERSON



**ONLY FOR USE WITH  
 4" W X 36" L FORKS  
 UP TO 2" THICK**

**PRODUCT NOT FOR USE  
 AS FORK EXTENSION**

## STANDARD FEATURES

MODEL NUMBER IS F4-36  
 OVERALL WIDTH IS 4 3/4"  
 OVERALL LENGTH IS 38 7/8"  
 OVERALL HEIGHT IS 2 3/8"  
 MADE FROM YELLOW POLYETHYLENE

## SPECIAL FEATURES

NONE

DIMENSION TOLERANCE ± 1/2"

<b>A P P R O V A L</b>	I, THE UNDERSIGNED, AGREE THAT THE PRODUCT AS REPRESENTED SATISFIES DESIGN AND DIMENSION REQUIREMENTS. I ALSO ACKNOWLEDGE MY DUTY TO CONFIRM PRODUCT AND INSTALLATION COMPLIANCE WITH ALL APPLICABLE FEDERAL, STATE AND LOCAL REGULATIONS AND STANDARDS.	
	<b>ANY MODIFIED UNITS ARE NON-RETURNABLE</b>	
	[ ] As drawn      [ ] As marked	
	Signed: _____ Date: _____	
Printed Name: _____		
<b>LEAD TIME WILL START UPON RECEIPT OF SIGNED APPROVAL DRAWING</b>		

FOR INTERNAL USE ONLY PROJECT SIGN OFF	
SALES	
ENG.	
FAB.	
POWER	

DISTRIBUTOR'S NAME:		P.O.#
VESTIL MANUFACTURING		X
DRAWN BY: W.BURKHART		DATE: 12/29/14
REFERENCE: X		SCALE: 1:8
QUOTED LEAD TIME: X		QUOTE #
		X
		SALES: X
		FILE NAME:
		47-007-027