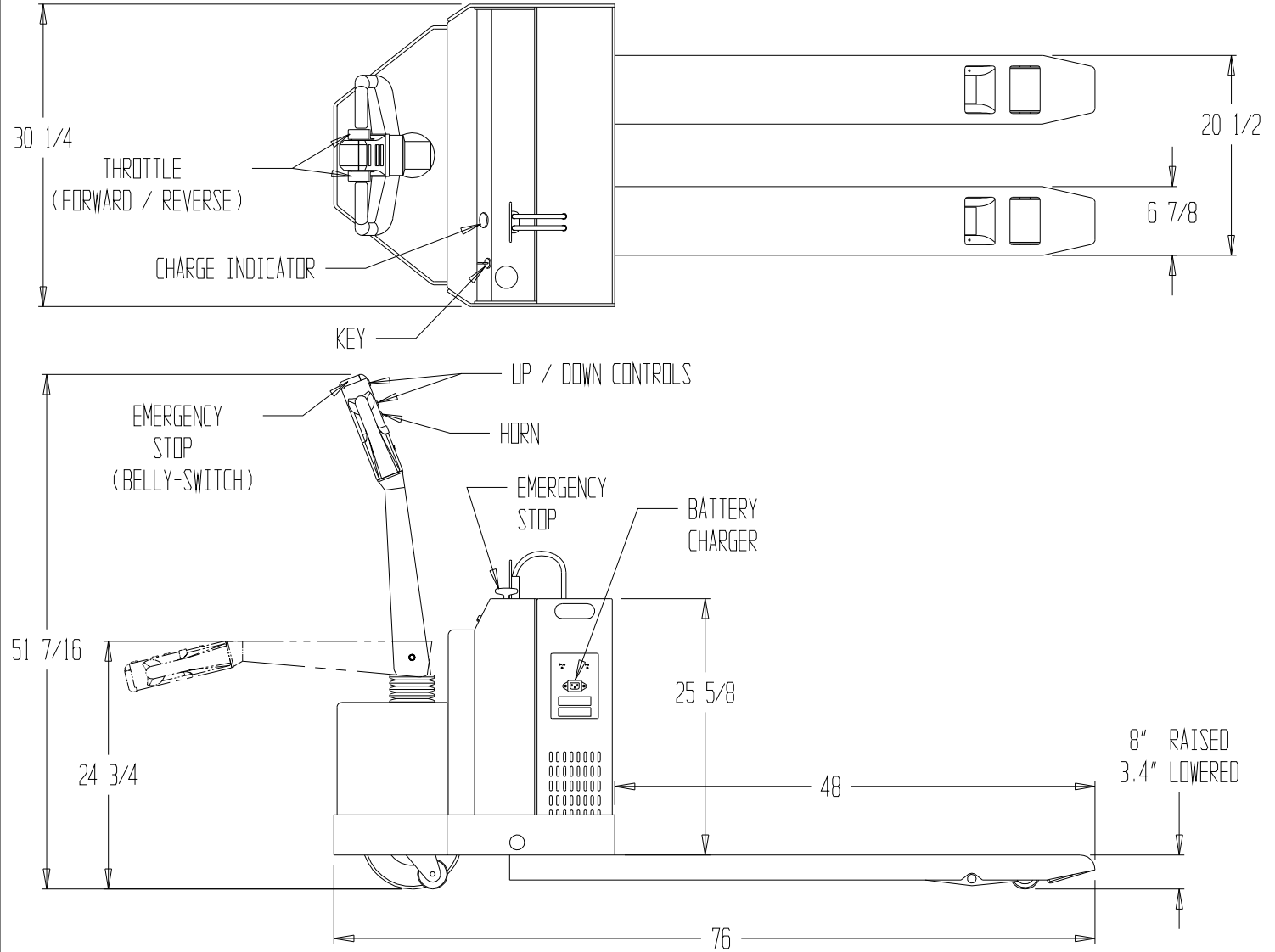


# FULLY POWERED ELECTRIC PALLET TRUCK, EPT-2048-45



## STANDARD FEATURES

- MODEL NUMBER: EPT-2048-45
- CAPACITY: 4,500 LBS.
- OVERALL FORK WIDTH: 20 1/2"
- USABLE FORK LENGTH: 48"
- FORK RAISED HEIGHT: 8"
- FORK LOWERED HEIGHT: 3.4"
- OVERALL WIDTH: 30 1/4"
- OVERALL LENGTH: 76"
- OVERALL HEIGHT: 51 7/16"
- 24V DC POWERED

## SPECIAL FEATURES

NONE

PRODUCTION WILL START UPON RECEIPT OF SIGNED APPROVAL DRAWING

**DIMENSION TOLERANCE ± 1/2"**

All graphics provided are for reference only.  
If certain dimensions are critical please verify those dimensions with your salesperson

APPROVAL	I, THE UNDERSIGNED, AGREE THAT THE PRODUCT AS REPRESENTED SATISFIES DESIGN & DIMENSION REQUIREMENTS. I ALSO ACKNOWLEDGE MY DUTY TO CONFIRM PRODUCT & INSTALLATION COMPLIANCE WITH ALL APPLICABLE FEDERAL, STATE AND LOCAL REGULATIONS & STANDARDS.	
	<b>UNITS REQUIRING APPROVAL DRAWINGS OR MODIFIED ARE NON-RETURNABLE</b>	
	( ) As drawn ( ) As marked	
	Signed: _____	Date: _____
Printed Name _____		
LEAD TIME WILL START UPON RECEIPT OF SIGNED APPROVAL DRAWING		

DISTRIBUTOR'S NAME: <b>VESTIL MANUFACTURING</b>		P.O.#: -
DRAWN BY: SR		DATE: 8-10-07
REFERENCE: -	SCALE: NTS	SALES: -
QUOTED LEADTIME: -	QUOTE #: -	DRWG./FILE NAME: EPT-2048-45

\*\*SPECIAL UNITS ARE NON-RETURNABLE  
\*AVAILABLE AT ADDITIONAL COSTS