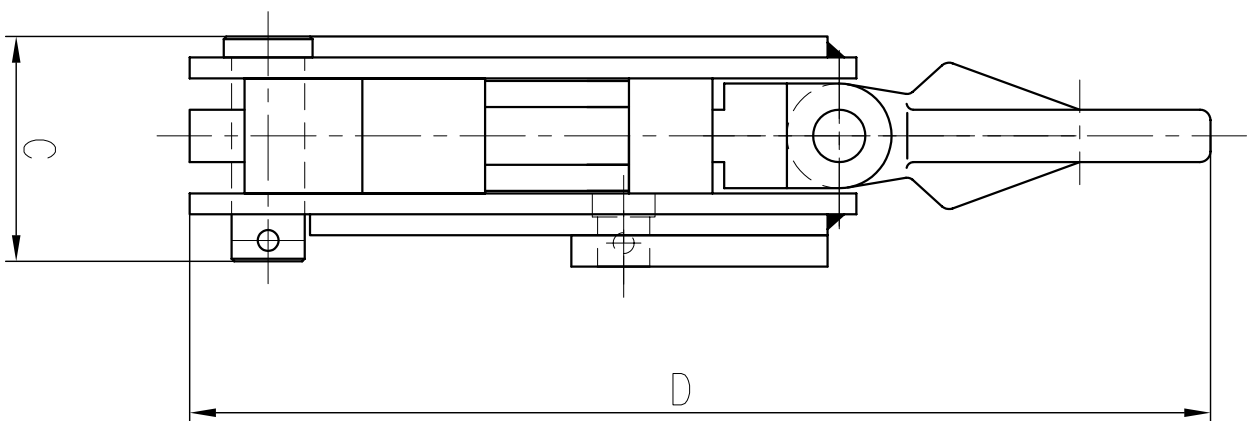
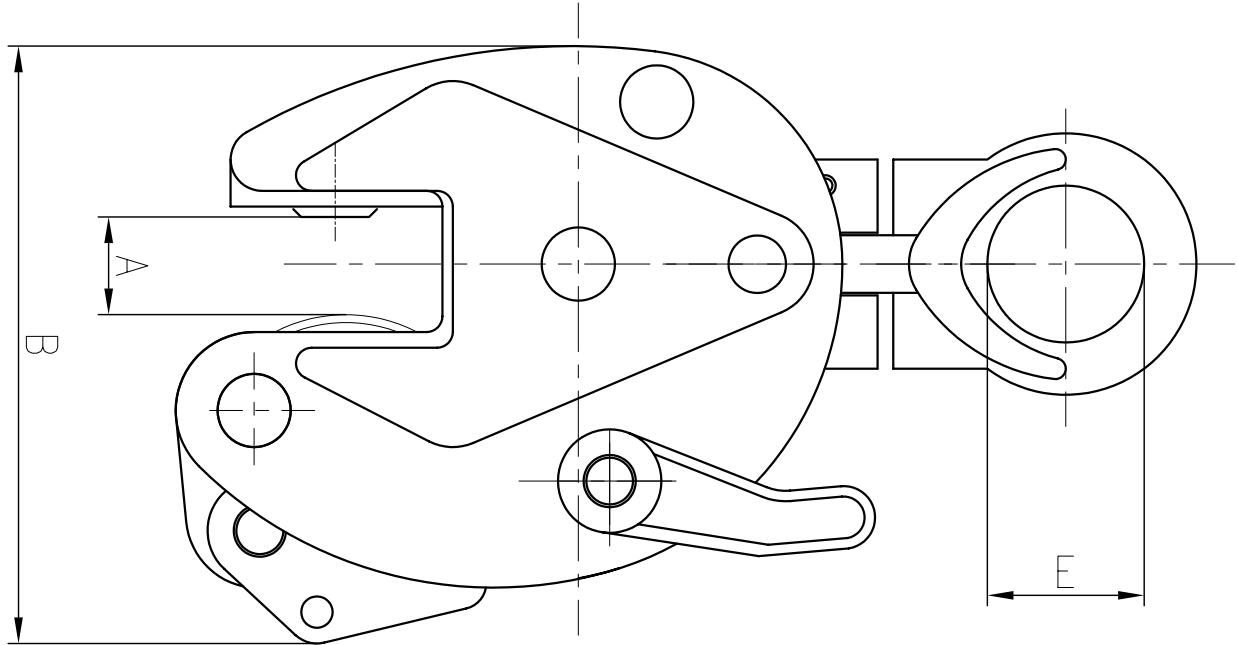


# EPC VERTICAL PLATE CLAMP



Model #	Capacity	A	B	C	D	E
EPC-10	1,000 lbs	0-0.60"	4.13"	1.73"	8.07"	1.18"
EPC-20	2,000 lbs	0-0.787"	6.89"	2.56"	13.78"	2.68"
EPC-40	4,000 lbs	0-1"	6.89"	2.56"	14.75"	2.68"
EPC-80	6,600 lbs	0-1.18"	9.13"	3.54"	16.75"	2.95"