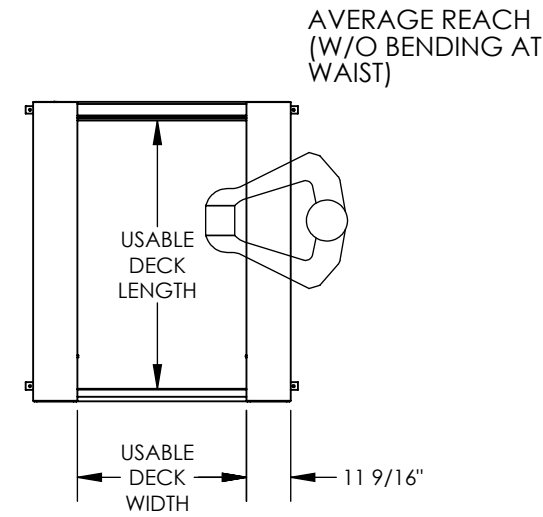
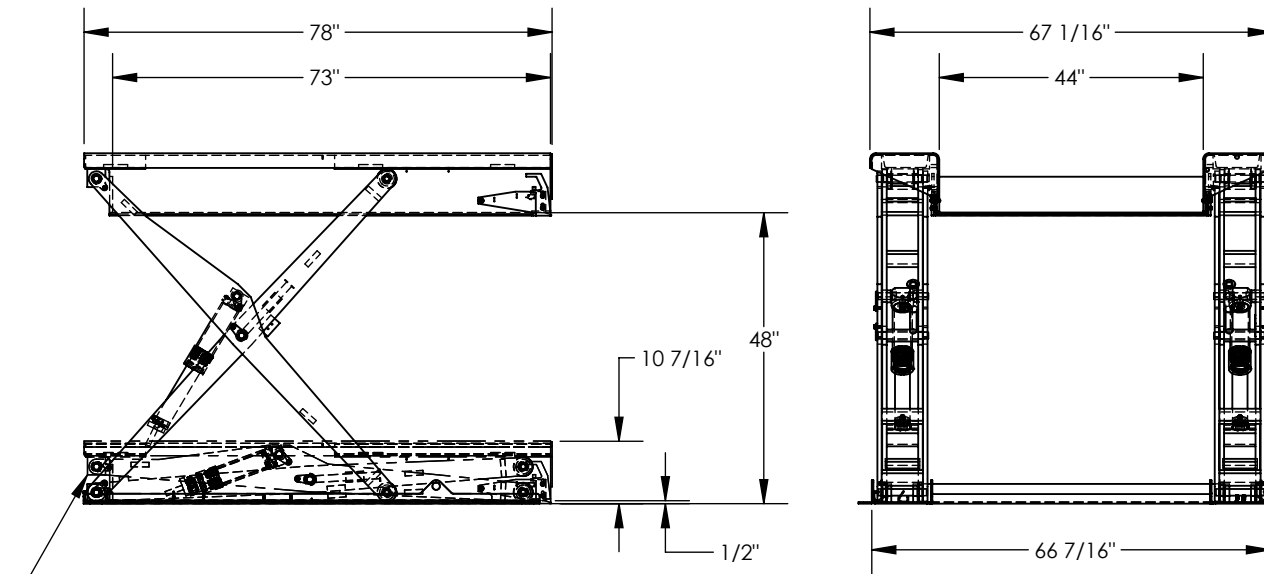


GROUND LIFT SCISSOR TABLE - EHLTG-4470-2-48

APPROX WEIGHT: 1920.12 lbs.
DOES NOT INCLUDE WEIGHT OF POWER OR PACKAGING!!!

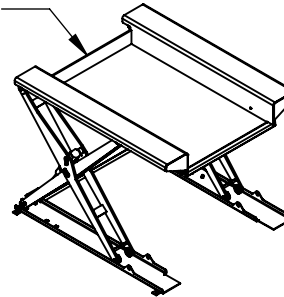
*** ANY ADDITIONS, DELETIONS, OR OMISSIONS MUST BE CORRECTED ON THIS DRAWING AS THIS DRAWING WILL BE CONSIDERED ALL INCLUSIVE ***

ALL GRAPHICS PROVIDED ARE FOR REFERENCE ONLY. IF CERTAIN DIMENSIONS ARE CRITICAL PLEASE VERIFY THOSE DIMENSIONS WITH YOUR SALESPERSON

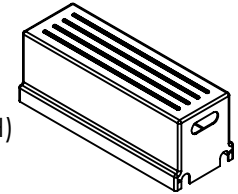


HOSE & CORD EXIT FRAME THIS END

6" HIGH BACK PLATE



REMOTE POWER UNIT:
32 1/2" x 12" x 12 1/2" (L x W x H)
WITH 8' HOSE & CABLE



DIMENSION TOLERANCE ± 1/4"

STANDARD FEATURES

MODEL NUMBER IS: EHLTG-4470-2-48
 PLATFORM WIDTH (USABLE): 44"
 PLATFORM LENGTH (USABLE): 73"
 OVERALL WIDTH: 67 1/16"
 OVERALL LENGTH: 78"
 PLATFORM RAISED HEIGHT: 48"
 PLATFORM LOWERED HEIGHT: 1/2"
 CAPACITY: 2,000 LBS.
 EXTERNAL POWER UNIT
 CONTROL IS FOOT SWITCH, 2 PEDAL, NEMA 1
 WITH MINIMUM USABLE 8' STRAIGHT CORD
 DURABLE LIQUID PAINT BLUE FINISH

SPECIAL FEATURES

NONE

PLEASE CIRCLE SPECIFICATIONS:

POWER	<input checked="" type="checkbox"/> AC	<input type="checkbox"/> DC (12V)	<input type="checkbox"/> AIR/OIL
MOTOR VOLTAGE	<input type="checkbox"/> 115	<input type="checkbox"/> 208	<input checked="" type="checkbox"/> 230
DEDICATED CIRCUIT REQUIRED 60Hz			
MOTOR PHASE	<input type="checkbox"/> SINGLE	<input checked="" type="checkbox"/> THREE	
CONTROL	<input type="checkbox"/> HAND	<input checked="" type="checkbox"/> FOOT	

APPROVAL

I, THE UNDERSIGNED, AGREE THAT THE PRODUCT AS REPRESENTED SATISFIES DESIGN AND DIMENSION REQUIREMENTS. I ALSO ACKNOWLEDGE MY DUTY TO CONFIRM PRODUCT AND INSTALLATION COMPLIANCE WITH ALL APPLICABLE FEDERAL, STATE AND LOCAL REGULATIONS AND STANDARDS.
UNITS REQUIRING APPROVAL DRAWINGS OR MODIFIED ARE NON-RETURNABLE
 As drawn As marked

Signed: _____ Date: _____

Printed Name: _____

LEAD TIME WILL START UPON RECEIPT OF SIGNED APPROVAL DRAWING

DISTRIBUTOR'S NAME:		P.O.#
VESTIL MANUFACTURING		X
DRAWN BY: V.GONI		DATE: 08/19/2013
REFERENCE: X		SCALE: 1:32
QUOTED LEAD TIME: X		QUOTE # X
		SALES: X
		FILE NAME: 04-007-042