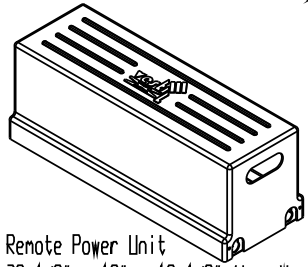
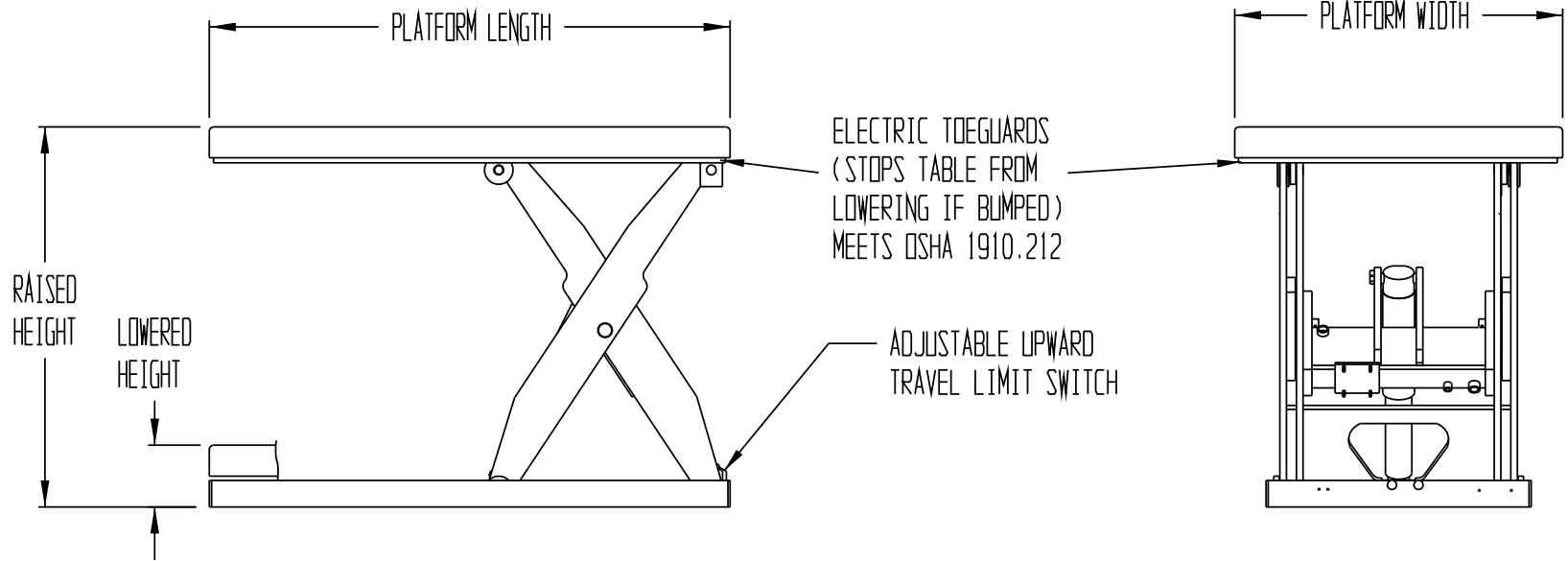


WORK STATION ELECTRIC HYDRAULIC SCISSOR TABLE, EHLT-WS-3248-1.5-36



Remote Power Unit
32 1/2" x 12" x 12 1/2" (L x W x H)
with 8' hose & cable



STANDARD FEATURES

- SCISSOR TABLE MODEL NUMBER IS EHLT-WS-3248-1.5-36
- PLATFORM WIDTH IS 32 INCHES
- PLATFORM LENGTH IS 48 INCHES
- PLATFORM RAISED HEIGHT IS 36 INCHES
- PLATFORM LOWERED HEIGHT IS 7 INCHES
- TABLE CAPACITY (EVENLY DISTRIBUTED LOAD) IS 1,500 LBS.
- STANDARD CONTROL IS 24 VOLT WEATHERTIGHT HAND PENDANT ON 8' CORD
- SAFETY MAINTENANCE PROPS, DISPLACEMENT STYLE CYLINDERS INSTALLED ROD DOWN
- EMERGENCY SAFETY STOP HYDRAULIC FUSES IN ALL CYLINDERS
- STANDARD EXTERNAL POWER UNIT

Deck tolerances +/- 1/2"
Table height tolerances +/- 1/2"

Any additions, deletions or omissions must be corrected on this drawing, as this drawing will be considered all inclusive.

All graphics provided are for reference only. If certain dimensions are critical please verify those dimensions with your salesperson

SPECIAL FEATURES

NONE

PLEASE CIRCLE SPECIFICATIONS:

POWER	AC	DC (12V)	AIR/OIL
MOTOR VOLTAGE	115	208	230 460
DEDICATED CIRCUIT REQUIRED			
MOTOR PHASE	SINGLE	THREE	
CONTROL	HAND	*FOOT	
* BATTERY CHRG.	REMOTE	ON-BOARD	
* CHRG. INDICATOR	YES	NO	

APPROVAL

I, THE UNDERSIGNED, AGREE THAT THE PRODUCT AS REPRESENTED SATISFIES DESIGN & DIMENSION REQUIREMENTS. I ALSO ACKNOWLEDGE MY DUTY TO CONFIRM PRODUCT & INSTALLATION COMPLIANCE WITH ALL APPLICABLE FEDERAL, STATE AND LOCAL REGULATIONS & STANDARDS.

ALL SPECIAL UNITS ARE NON-RETURNABLE

[] As drawn [] As marked

Signed: _____ Date: _____

LEAD TIME WILL START UPON RECEIPT OF SIGNED APPROVAL DRAWING

DISTRIBUTOR'S NAME: VESTIL MFG		P.O.#: _
DRAWN BY: _____		W.O.#: _
DATE: _	SALES: _	
REFERENCE: _	SCALE: _	DRWG./FILE NAME: _
QUOTED LEADTIME: _	QUOTE #: _	