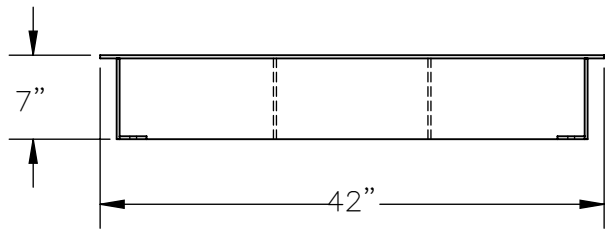
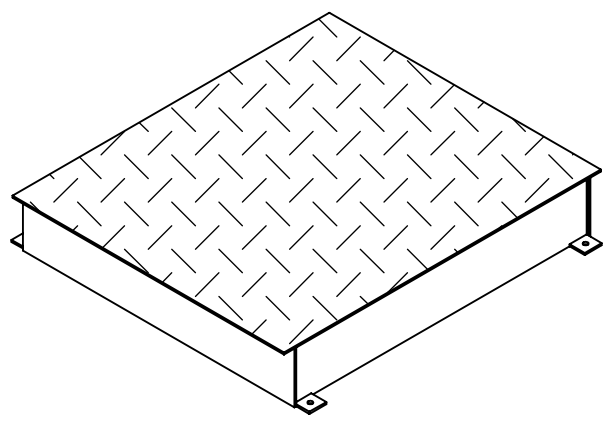
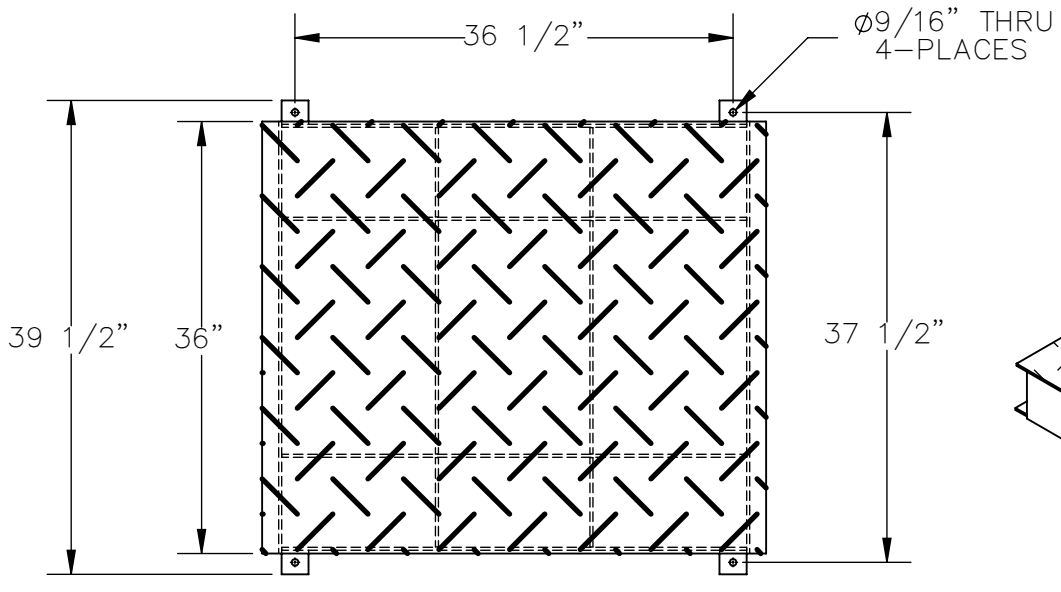


EHLT APPROACH RAMP SPACER - EHLT-AR-RS-3642-7

APPROX WEIGHT: 249.88 lbs.
 DOES NOT INCLUDE WEIGHT OF POWER OR PACKAGING!!!

ANY ADDITIONS, DELETIONS, OR OMISSIONS MUST BE CORRECTED ON THIS DRAWING AS THIS DRAWING WILL BE CONSIDERED ALL INCLUSIVE



ALL GRAPHICS PROVIDED ARE FOR REFERENCE ONLY. IF CERTAIN DIMENSIONS ARE CRITICAL PLEASE VERIFY THOSE DIMENSIONS WITH YOUR SALESPERSON

DIMENSION TOLERANCE ±1/4"

STANDARD FEATURES

- MODEL NUMBER IS EHLT-AR-RS-3642-7
- OVERALL WIDTH IS 39 1/2"
- USABLE WIDTH IS 36"
- OVERALL LENGTH IS 42"
- OVERALL HEIGHT IS 7"
- MAX CAPACITY IS 4,000LBS
- RISE 7"

SPECIAL FEATURES

NONE

IT IS THE END-USER'S RESPONSIBILITY TO DETERMINE IF THE ABOVE RAMP SLOPE WILL FUNCTION WITH THEIR PALLET TRUCK TO LOAD & UNLOAD PRODUCT ONTO THE EHLT

| | | |
|---|--|-------------|
| APPROVAL | I, THE UNDERSIGNED, AGREE THAT THE PRODUCT AS REPRESENTED SATISFIES DESIGN AND DIMENSION REQUIREMENTS. I ALSO ACKNOWLEDGE MY DUTY TO CONFIRM PRODUCT AND INSTALLATION COMPLIANCE WITH ALL APPLICABLE FEDERAL, STATE AND LOCAL REGULATIONS AND STANDARDS. | |
| | ANY MODIFIED UNITS ARE NON-RETURNABLE | |
| | [] As drawn [] As marked | |
| | Signed: _____ | Date: _____ |
| Printed Name: _____ | | |
| <i>LEAD TIME WILL START UPON RECEIPT OF SIGNED APPROVAL DRAWING</i> | | |

| | | | | |
|---|--|-----------------------------|------------------|------------|
| FOR INTERNAL USE ONLY PROJECT SIGN OFF | | DISTRIBUTOR'S NAME: | | P.O.# |
| SALES | | VESTIL MANUFACTURING | | X |
| ENG. | | | | W.O.# |
| FAB. | | DRAWN BY: BCN | DATE: 10/18/2018 | SALES: X |
| POWER | | REFERENCE: X | SCALE: 1:16 | FILE NAME: |
| | | QUOTED LEAD TIME: X | QUOTE # X | 24-007-981 |