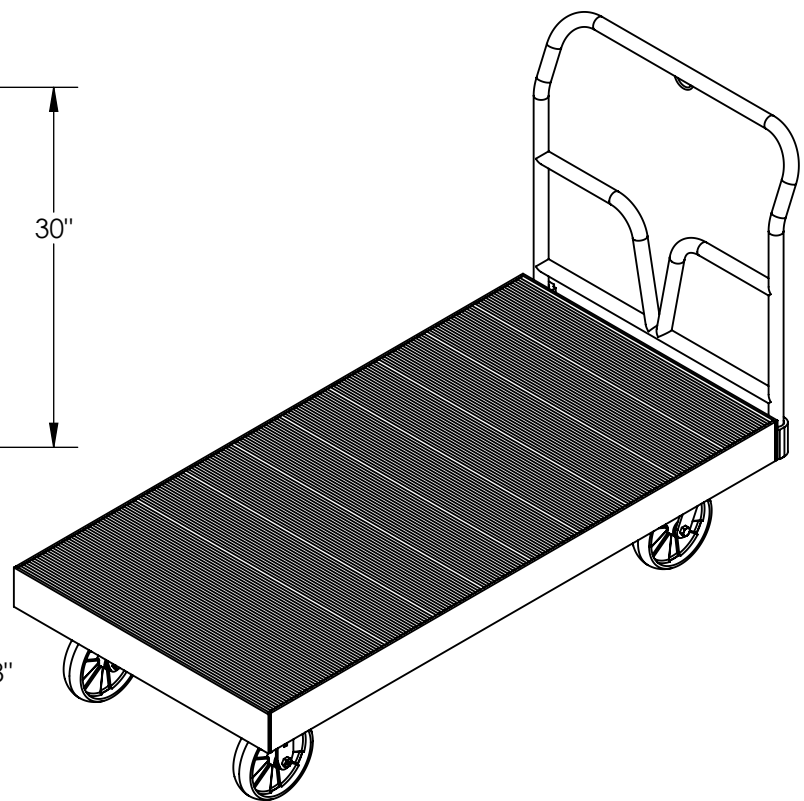
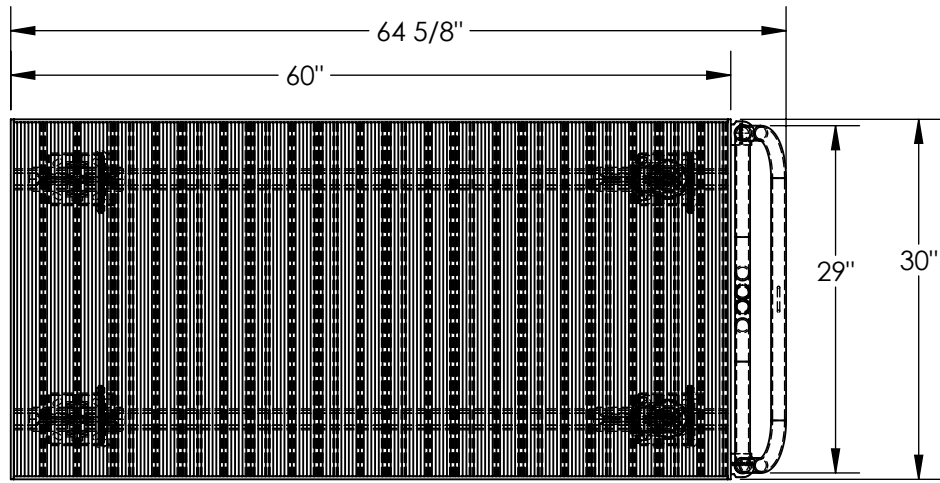


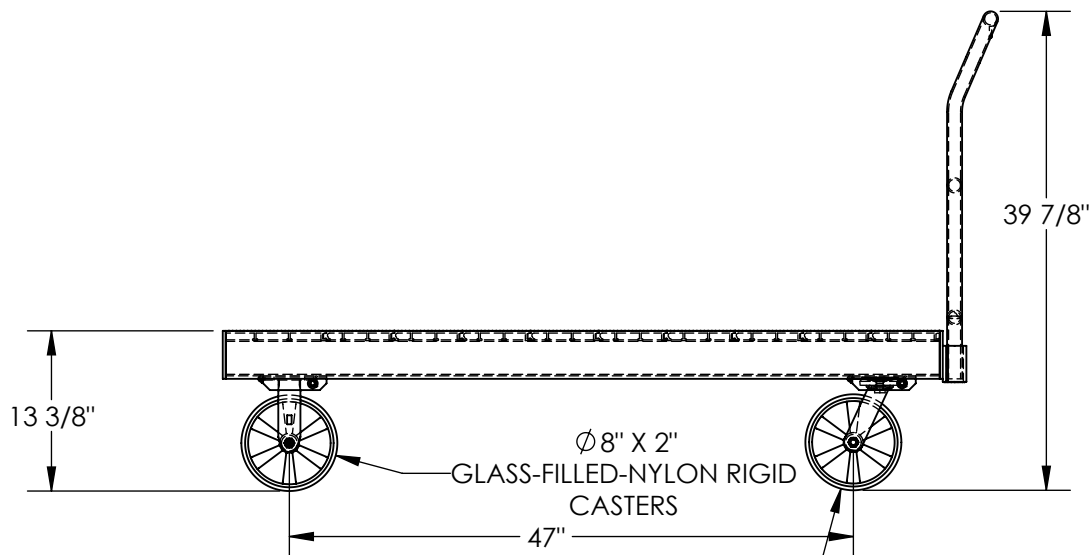
HEAVY DUTY EXTRUDED ALUMINUM PLATFORM TRUCK - EFHD-3060

APPROX WEIGHT: 262.91 lbs. DOES NOT INCLUDE WEIGHT OF POWER OR PACKAGING!!!

*** ANY ADDITIONS, DELETIONS, OR OMISSIONS MUST BE CORRECTED ON THIS DRAWING AS THIS DRAWING WILL BE CONSIDERED ALL INCLUSIVE ***
 ALL GRAPHICS PROVIDED ARE FOR REFERENCE ONLY. IF CERTAIN DIMENSIONS ARE CRITICAL PLEASE VERIFY THOSE DIMENSIONS WITH YOUR SALESPERSON



DIMENSION TOLERANCE ± 1/4"



Ø8" X 2" GLASS-FILLED-NYLON RIGID CASTERS
 Ø8" X 2" GLASS-FILLED-NYLON SWIVEL CASTERS

STANDARD FEATURES

- MODEL NUMBER IS EFHD-3060
- CAPACITY IS 4,800 LBS.
- DECK WIDTH IS 30"
- DECK LENGTH IS 60"
- PLATFORM HEIGHT IS 13 3/8"
- GLASS-FILLED-NYLON CASTERS
 - (2) - 8" x 2" RIGID
 - (2) - 8" x 2" SWIVEL
- HANDLE WIDTH IS 29"
- WELDED ALUMINUM CONSTRUCTION
- REMOVABLE HANDLE

SPECIAL FEATURES

NONE

FOR INTERNAL USE ONLY
 PROJECT SIGN OFF

| | |
|-------|--|
| SALES | |
| ENG. | |
| FAB. | |
| POWER | |

APPROVAL

I, THE UNDERSIGNED, AGREE THAT THE PRODUCT AS REPRESENTED SATISFIES DESIGN AND DIMENSION REQUIREMENTS. I ALSO ACKNOWLEDGE MY DUTY TO CONFIRM PRODUCT AND INSTALLATION COMPLIANCE WITH ALL APPLICABLE FEDERAL, STATE AND LOCAL REGULATIONS AND STANDARDS.
ALL SPECIAL UNITS ARE NON-RETURNABLE
 As drawn As marked

Signed: _____ Date: _____

LEAD TIME WILL START UPON RECEIPT OF SIGNED APPROVAL DRAWING

| | | |
|----------------------|-------------|------------|
| DISTRIBUTOR'S NAME: | | P.O.# |
| VESTIL MANUFACTURING | | X |
| DRAWN BY: CA | | W.O.# |
| DATE: 01/11/2012 | | X |
| REFERENCE: X | SCALE: 1:16 | SALES: X |
| QUOTED LEAD TIME: X | QUOTE # X | FILE NAME: |
| | | 33-007-039 |