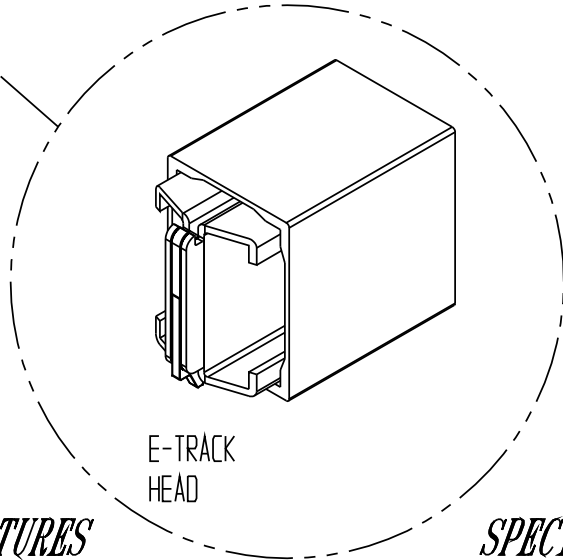
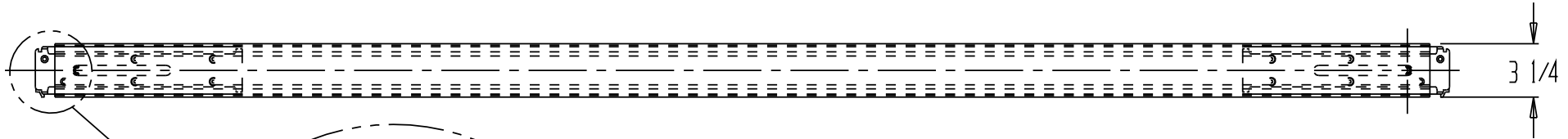
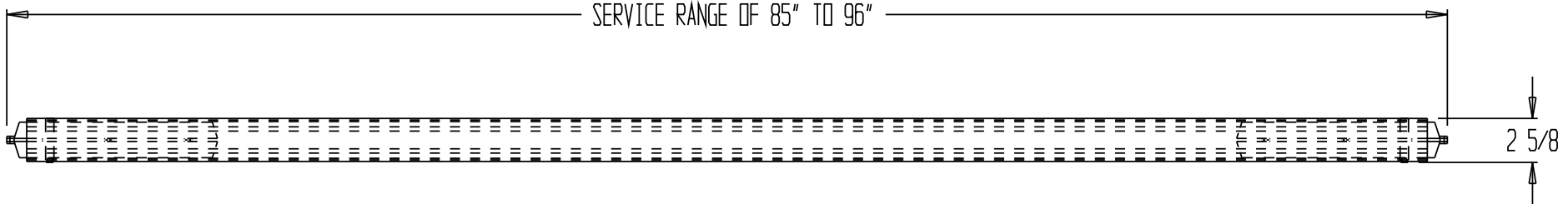


# ONE PIECE ALUMINUM (E-TRACK) CARGO BAR EB-96



DIMENSION TOLERANCE +/- 1/2"

## STANDARD FEATURES

MODEL NUMBER: EB-96  
 LOAD RATING 2000 LBS  
 ONE PIECE SOLID CONSTRUCTION  
 TUBING MEASURES 2 5/8" x 3 1/4"  
 SERVICE RANGE OF 85" TO 96"  
 STANDARD WITH SLIDING E-TRACK HEAD  
 EACH END TELESCOPES 7"  
 WEIGHT IS 19 LBS

## SPECIAL FEATURES

NONE

FOR INTERNAL USE ONLY PROJECT SIGN OFF	
SALES	
ENG	
FAB.	
POWER	

<b>A P P R O V A L</b>	I, THE UNDERSIGNED, AGREE THAT THE PRODUCT AS REPRESENTED SATISFIES DESIGN & DIMENSION REQUIREMENTS. I ALSO ACKNOWLEDGE MY DUTY TO CONFIRM PRODUCT & INSTALLATION COMPLIANCE WITH ALL APPLICABLE FEDERAL, STATE AND LOCAL REGULATIONS & STANDARDS.	
	<b>ALL SPECIAL UNITS ARE NON-RETURNABLE</b>	
	[ ] As drawn	[ ] As marked
	Signed: _____	Date: _____
LEAD TIME WILL START UPON RECEIPT OF SIGNED APPROVAL DRAWING		

DISTRIBUTOR'S NAME: <b>VESTIL MFG</b>		P.O.#: -
DRAWN BY: K. YOUNG		DATE: 3/11/04
REFERENCE: -	SCALE: -	SALES: -
QUOTED LEADTIME: -	QUOTE #: -	DRWG./FILE NAME: 44-007-040

\*\*SPECIAL UNITS ARE NON-RETURNABLE  
 \*AVAILABLE AT ADDITIONAL COSTS