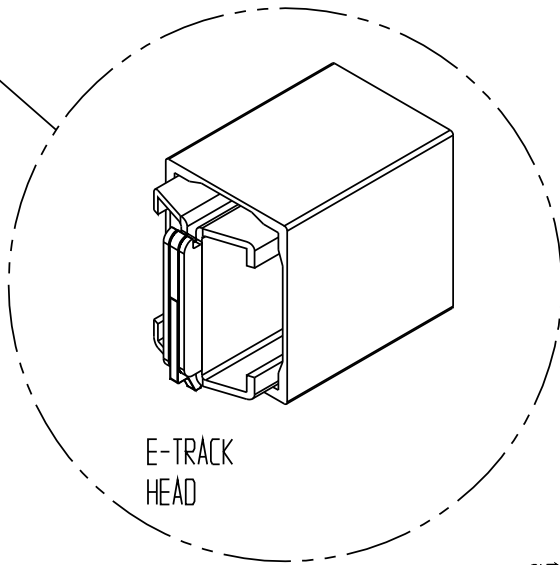
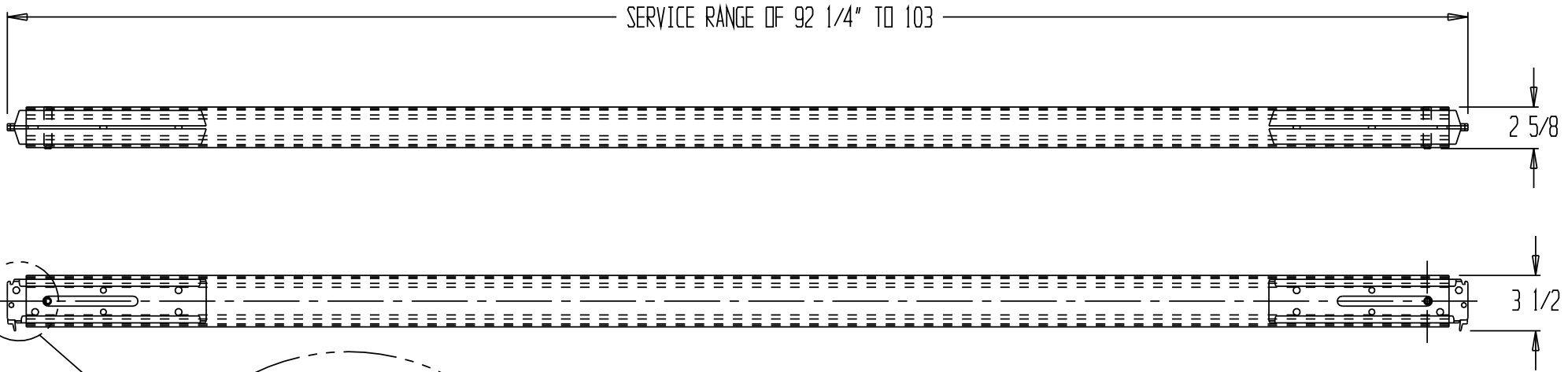


ONE PIECE ALUMINUM (E-TRACK) CARGO BAR EB-102



DIMENSION TOLERANCE +/- 1/2"

STANDARD FEATURES

MODEL NUMBER: EB-102
 LOAD RATING 2000 LBS
 ONE PIECE SOLID CONSTRUCTION
 TUBING MEASURES 2 5/8" x 3 1/2"
 SERVICE RANGE OF 92 1/4" TO 103"
 STANDARD WITH SLIDING E-TRACK HEAD
 EACH END TELESCOPES 7"
 WEIGHT IS 22 LBS

SPECIAL FEATURES

NONE

**SPECIAL UNITS ARE NON-RETURNABLE
 *AVAILABLE AT ADDITIONAL COSTS

FOR INTERNAL USE ONLY PROJECT SIGN OFF	
SALES	
ENG	
FAB.	
POWER	

APPROVAL	I, THE UNDERSIGNED, AGREE THAT THE PRODUCT AS REPRESENTED SATISFIES DESIGN & DIMENSION REQUIREMENTS. I ALSO ACKNOWLEDGE MY DUTY TO CONFIRM PRODUCT & INSTALLATION COMPLIANCE WITH ALL APPLICABLE FEDERAL, STATE AND LOCAL REGULATIONS & STANDARDS.
	ALL SPECIAL UNITS ARE NON-RETURNABLE
	[] As drawn [] As marked
	Signed: _____ Date: _____ LEAD TIME WILL START UPON RECEIPT OF SIGNED APPROVAL DRAWING

DISTRIBUTOR'S NAME: VESTIL MFG		P.O.#: _
DRAWN BY: K. YOUNG		DATE: 3/16/04
REFERENCE:	SCALE: _	SALES: _
QUOTED LEADTIME: _	QUOTE #: _	DRWG./FILE NAME: 44-007-043