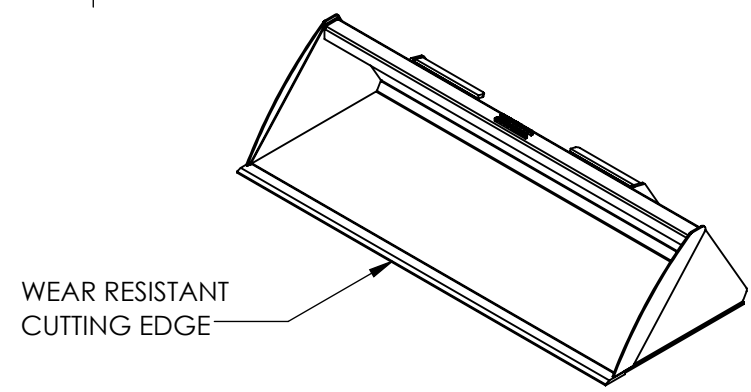
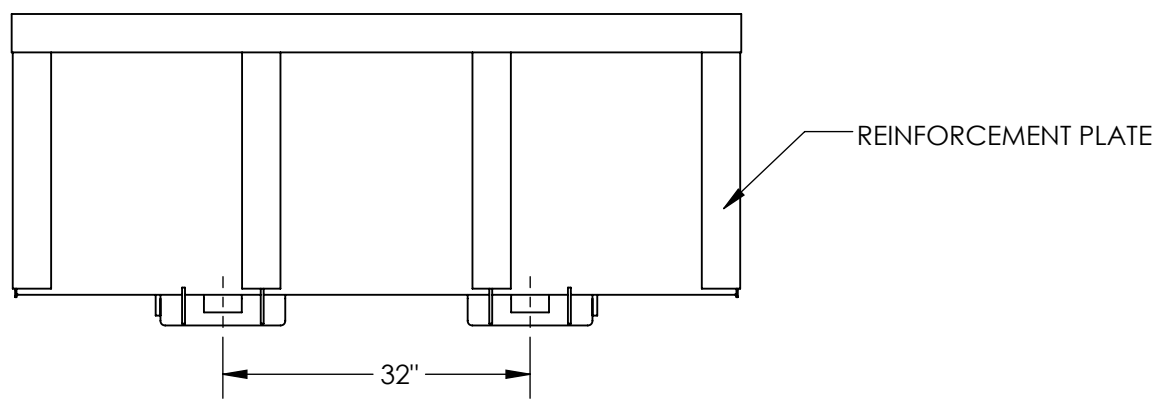
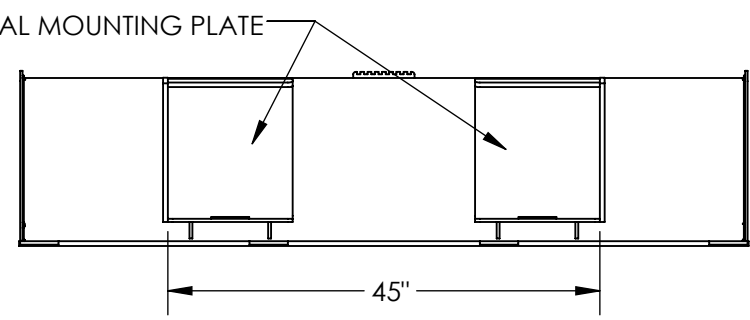
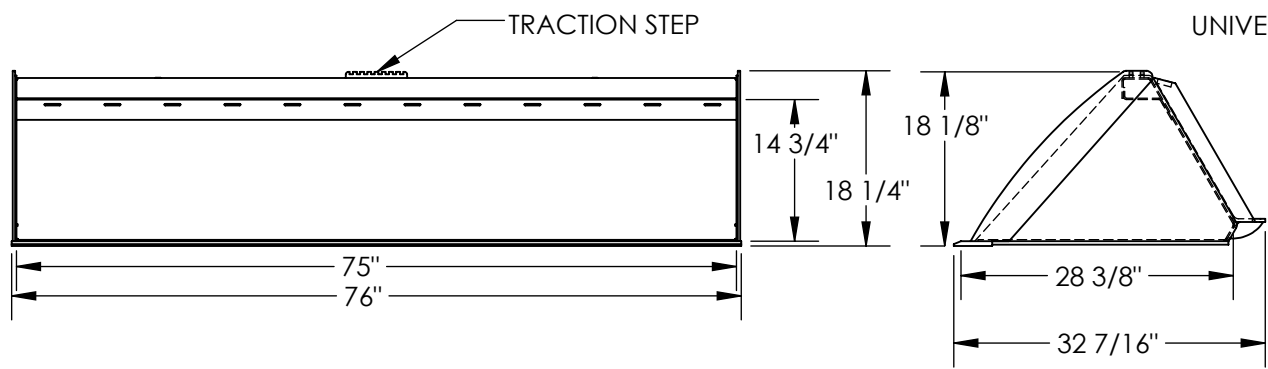


STEER LOW PROFILE LEVELING BUCKET - EA-SKSB-76-LP

APPROX WEIGHT: 339.97 lbs.
DOES NOT INCLUDE WEIGHT OF POWER OR PACKAGING!!!

*** ANY ADDITIONS, DELETIONS, OR OMISSIONS MUST BE CORRECTED ON THIS DRAWING AS THIS DRAWING WILL BE CONSIDERED ALL INCLUSIVE ***
ALL GRAPHICS PROVIDED ARE FOR REFERENCE ONLY. IF CERTAIN DIMENSIONS ARE CRITICAL PLEASE VERIFY THOSE DIMENSIONS WITH YOUR SALESPERSON



DIMENSION TOLERANCE $\pm 1/4$ "

STANDARD FEATURES

- MODEL NUMBER IS EA-SKSB-76-LP
- OVERALL WIDTH IS 76"
- USEABLE WIDTH IS 75"
- OVERALL LENGTH IS 32 7/16"
- USEABLE LENGTH IS 28 3/8"
- OVERALL HEIGHT IS 18 1/8"
- USEABLE HEIGHT IS 14 3/4"
- UNIVERSAL MOUNTING PLATE

SPECIAL FEATURES

NONE

- ON 32" CENTER
- WEAR RESISTANT CUTTING EDGE
- REINFORCEMENT PLATES ON BOTTOM OF BUCKET
- DURABLE LIQUID PAINT BLACK FINISH

APPROVAL

I, THE UNDERSIGNED, AGREE THAT THE PRODUCT AS REPRESENTED SATISFIES DESIGN AND DIMENSION REQUIREMENTS. I ALSO ACKNOWLEDGE MY DUTY TO CONFIRM PRODUCT AND INSTALLATION COMPLIANCE WITH ALL APPLICABLE FEDERAL, STATE AND LOCAL REGULATIONS AND STANDARDS.

ANY MODIFIED UNITS ARE NON-RETURNABLE

[] As drawn [] As marked

Signed: _____ Date: _____

Printed Name: _____

LEAD TIME WILL START UPON RECEIPT OF SIGNED APPROVAL DRAWING

FOR INTERNAL USE ONLY PROJECT SIGN OFF	
SALES	
ENG.	
FAB.	
POWER	

DISTRIBUTOR'S NAME:		P.O.#
VESTIL MANUFACTURING		X
DRAWN BY: CJC	DATE: 5/18/17	W.O.#
REFERENCE: X	SCALE: 1:20	X
QUOTED LEAD TIME: X	QUOTE #	FILE NAME:
	X	50-007-007