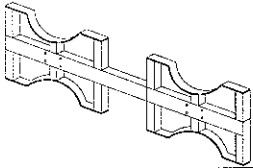
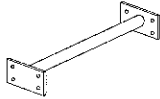






## Assembly Instructions for DRUM-RACK-2:

A	B	C	D	E	F
		 M8x60	 M8	 M8	 M8
Bracket	Crossbrace Bar	Bolt	Washer	Lock Washer	Nut
2 pcs	2 pcs	16pcs	16pcs	16pcs	16pcs

