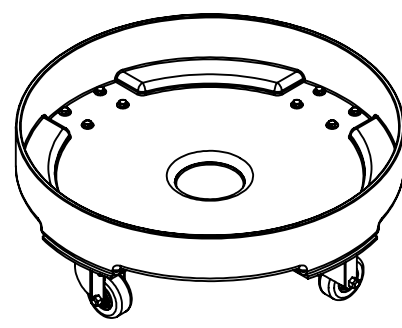
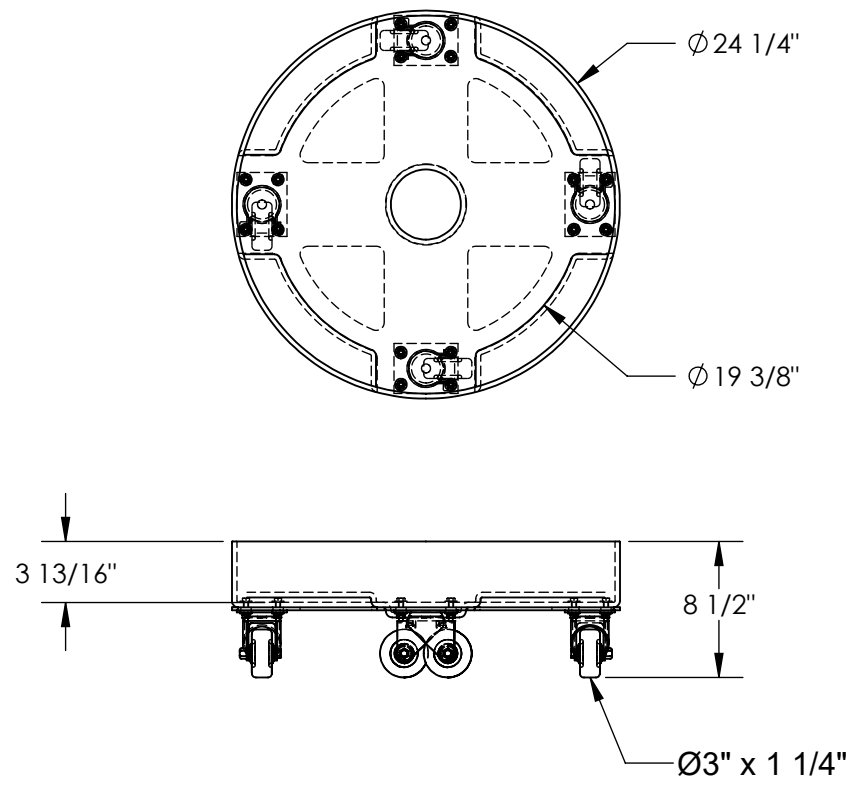


# DRUM DOLLY - DRUM-DP-HD-55-BU

APPROX WEIGHT: 36.42 lbs.  
 DOES NOT INCLUDE WEIGHT OF POWER OR PACKAGING!!!

\*\*\* ANY ADDITIONS, DELETIONS, OR OMISSIONS MUST BE CORRECTED ON THIS DRAWING AS THIS DRAWING WILL BE CONSIDERED ALL INCLUSIVE \*\*\*

ALL GRAPHICS PROVIDED ARE FOR REFERENCE ONLY. IF CERTAIN DIMENSIONS ARE CRITICAL PLEASE VERIFY THOSE DIMENSIONS WITH YOUR SALESPERSON



## STANDARD FEATURES

- MODEL NUMBER IS DRUM-DP-HD-55-BU-BU
- OVERALL DIAMETER IS  $\phi 24 \frac{1}{4}$ "
- OVERALL HEIGHT IS  $8 \frac{1}{2}$ "
- MAX CAPACITY IS 600 LBS
- MADE FROM HIGH DENSITY POLYETHYLENE
- HARD RUBBER CASTERS:  $\phi 3$ " x  $1 \frac{1}{4}$ "
- STEEL SUPPORT BASE: TOUGH BAKED IN POWDERCOATED YELLOW FINISH
- BLUE POLYETHYLENE
- WORKS WITH 55 OR 30 GALLON DRUMS

## SPECIAL FEATURES

NONE

DIMENSION TOLERANCE  $\pm 1/2$ "

<b>APPROVAL</b>	I, THE UNDERSIGNED, AGREE THAT THE PRODUCT AS REPRESENTED SATISFIES DESIGN AND DIMENSION REQUIREMENTS. I ALSO ACKNOWLEDGE MY DUTY TO CONFIRM PRODUCT AND INSTALLATION COMPLIANCE WITH ALL APPLICABLE FEDERAL, STATE AND LOCAL REGULATIONS AND STANDARDS.	
	<b>ANY MODIFIED UNITS ARE NON-RETURNABLE</b>	
	[ ] As drawn      [ ] As marked	
	Signed: _____	Date: _____
Printed Name: _____		
<b>LEAD TIME WILL START UPON RECEIPT OF SIGNED APPROVAL DRAWING</b>		

FOR INTERNAL USE ONLY PROJECT SIGN OFF	
SALES	
ENG.	
FAB.	
POWER	

DISTRIBUTOR'S NAME:		P.O.#
VESTIL MANUFACTURING		X
DRAWN BY: KGH		DATE: 6/15/2017
REFERENCE: X	SCALE: 1:12	SALES: X
QUOTED LEAD TIME: X	QUOTE # X	FILE NAME: 31-007-280-001