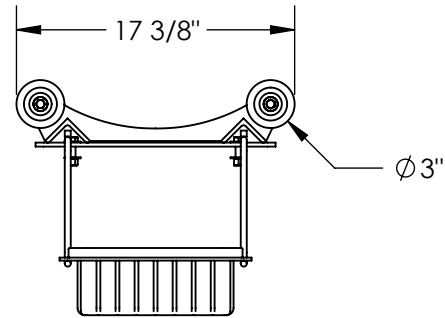
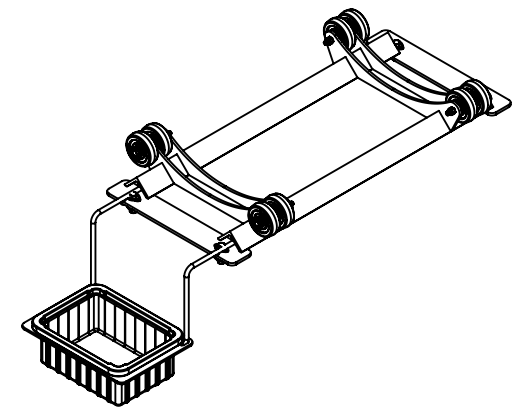
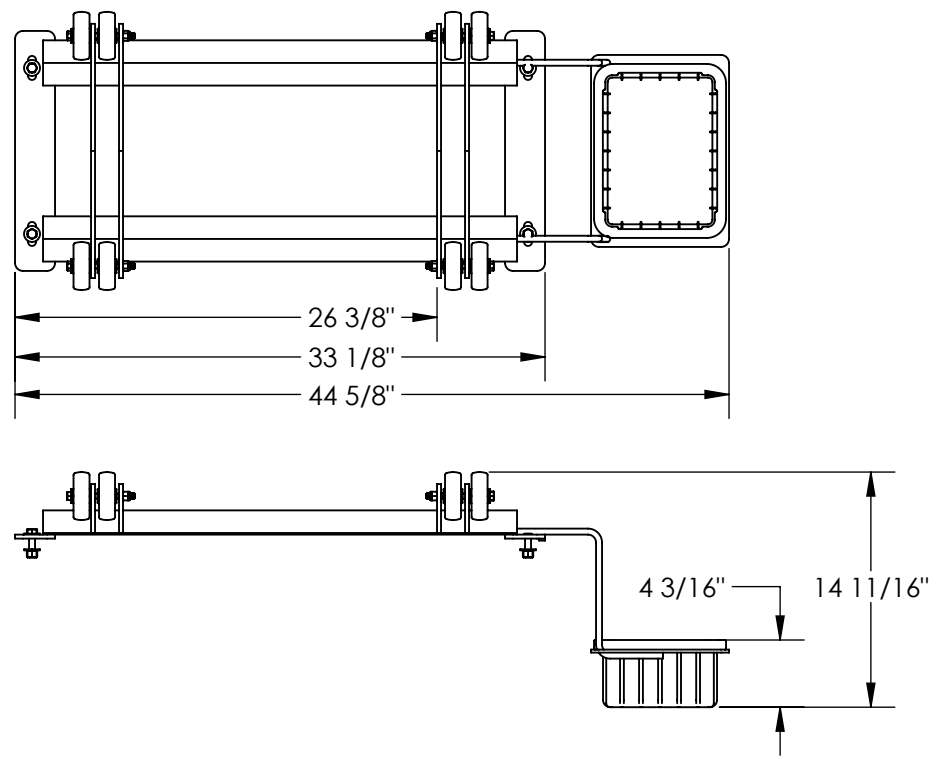


DRUM CRADLE W/ROLLERS AND DRIP PAN - DRK-PRDC-42-R W/ DRK-PRDC-DPN APPROX WEIGHT: 45.31 lbs. DOES NOT INCLUDE WEIGHT OF POWER OR PACKAGING!!!

*** ANY ADDITIONS, DELETIONS, OR OMISSIONS MUST BE CORRECTED ON THIS DRAWING AS THIS DRAWING WILL BE CONSIDERED ALL INCLUSIVE *** ALL GRAPHICS PROVIDED ARE FOR REFERENCE ONLY. IF CERTAIN DIMENSIONS ARE CRITICAL PLEASE VERIFY THOSE DIMENSIONS WITH YOUR SALESPERSON



STANDARD FEATURES

- MODEL NUMBER IS DRK-PRDC-42-R W/DRK-PRDC-DPN
- OVERALL WIDTH IS 17 3/8"
- OVERALL LENGTH IS 44 5/8"
- OVERALL HEIGHT IS 14 11/16"
- MAX CAPACITY IS 800 LBS
- MOUNTING HARDWARE INCLUDED
 - (4) 3/8" -16 X 1 1/2" HEX BOLTS
 - (8) 3/8" FLAT WASHERS
 - (4) 3/8"-16 NYLOCK NUTS

SPECIAL FEATURES

NONE

DIMENSION TOLERANCE ± 1/4"

APPROVAL

I, THE UNDERSIGNED, AGREE THAT THE PRODUCT AS REPRESENTED SATISFIES DESIGN AND DIMENSION REQUIREMENTS. I ALSO ACKNOWLEDGE MY DUTY TO CONFIRM PRODUCT AND INSTALLATION COMPLIANCE WITH ALL APPLICABLE FEDERAL, STATE AND LOCAL REGULATIONS AND STANDARDS.

ANY MODIFIED UNITS ARE NON-RETURNABLE

[] As drawn [] As marked

Signed: _____ Date: _____

Printed Name: _____

LEAD TIME WILL START UPON RECEIPT OF SIGNED APPROVAL DRAWING

FOR INTERNAL USE ONLY PROJECT SIGN OFF	
SALES	
ENG.	
FAB.	
POWER	

DISTRIBUTOR'S NAME:		P.O.#
VESTIL MANUFACTURING		X
DRAWN BY: C.CLEMENS		DATE: 1/11/17
REFERENCE: X		SCALE: 1:16
QUOTED LEAD TIME: X		QUOTE #
		X
		FILE NAME:
		40-007-089-001