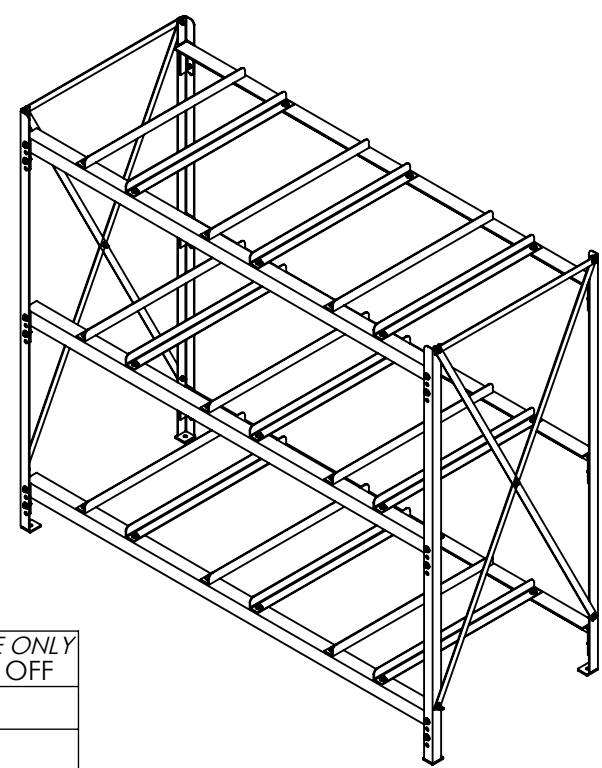
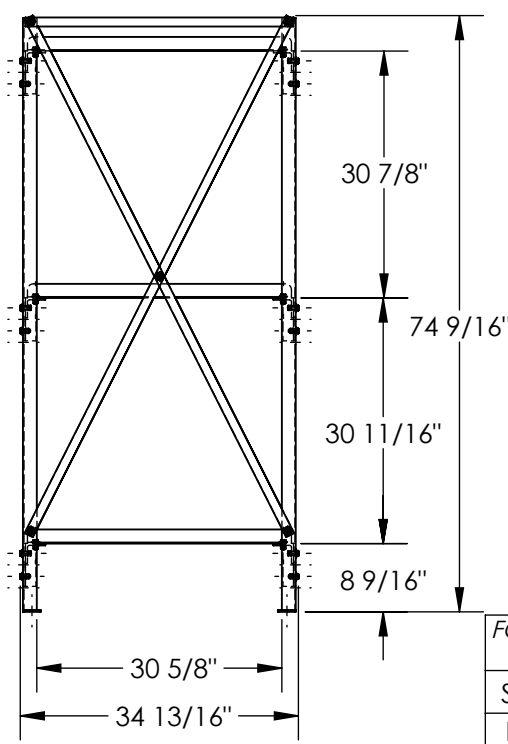
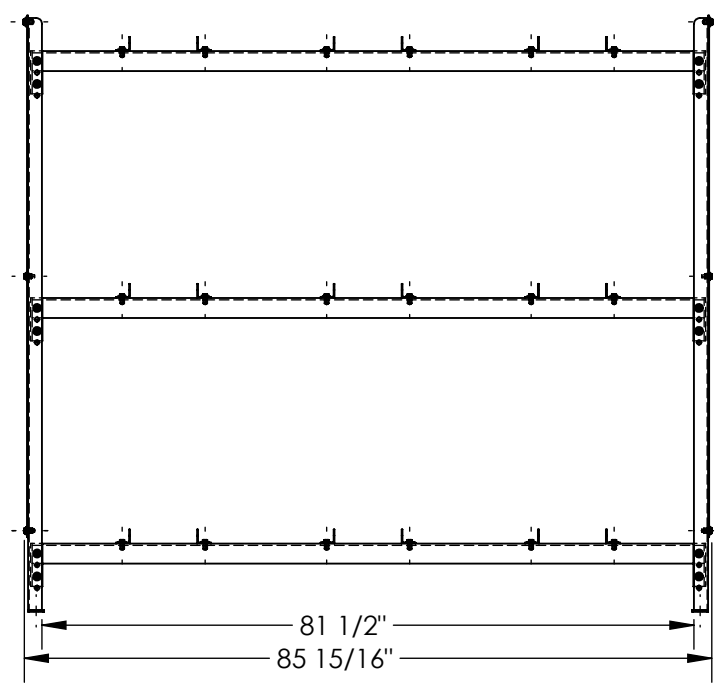


DRUM STORAGE RACK - DRK-3-3

APPROX WEIGHT: 308.17 lbs.
DOES NOT INCLUDE WEIGHT OF POWER OR PACKAGING!!!

*** ANY ADDITIONS, DELETIONS, OR OMISSIONS MUST BE CORRECTED ON THIS DRAWING AS THIS DRAWING WILL BE CONSIDERED ALL INCLUSIVE ***

ALL GRAPHICS PROVIDED ARE FOR REFERENCE ONLY. IF CERTAIN DIMENSIONS ARE CRITICAL PLEASE VERIFY THOSE DIMENSIONS WITH YOUR SALESPERSON



STANDARD FEATURES

- MODEL NUMBER IS DRK-3-3
- OVERALL WIDTH IS 85 15/16"
- USABLE WIDTH IS 81 1/2"
- OVERALL LENGTH IS 34 13/16"
- USABLE LENGTH IS 30 5/8"
- OVERALL HEIGHT IS 74 9/16"
- MAX CAPACITY IS 7,200 LBS.
- CAPACITY PER SHELF: 2,400 LBS.
- CONSTRUCTED OF HEAVY DUTY STEEL ANGLE
- CROSS BRACING IS PROVIDED FOR EXTRA STRENGTH
- ALLOWS FORKLIFT ENTRY FROM THE FRONT OR REAR
- UPRIGHTS KEEP DRUMS FROM ACCIDENTAL ROLL OFF
- ROUNDED CRADLE EDGES PREVENT DRUMS FROM PUNCTURE
- (4) ANCHOR PADS HELP TO PREVENT TIPPING
- FRAME: TOUGH BAKED IN POWDER COATED YELLOW FINISH
- CROSS BRACES: TOUGH BAKED IN POWDER COATED BLUE FINISH
- SHIPS KNOCKED DOWN

SPECIAL FEATURES

NONE

FOR INTERNAL USE ONLY
PROJECT SIGN OFF

SALES	
ENG.	
FAB.	
POWER	

DIMENSION TOLERANCE ± 1/4"

A
P
R
O
V
A
L

I, THE UNDERSIGNED, AGREE THAT THE PRODUCT AS REPRESENTED SATISFIES DESIGN AND DIMENSION REQUIREMENTS. I ALSO ACKNOWLEDGE MY DUTY TO CONFIRM PRODUCT AND INSTALLATION COMPLIANCE WITH ALL APPLICABLE FEDERAL, STATE AND LOCAL REGULATIONS AND STANDARDS.

ANY MODIFIED UNITS ARE NON-RETURNABLE

[] As drawn [] As marked

Signed: _____ Date: _____

Printed Name: _____

LEAD TIME WILL START UPON RECEIPT OF SIGNED APPROVAL DRAWING

DISTRIBUTOR'S NAME:		P.O.#
VESTIL MANUFACTURING		X
DRAWN BY: THW		W.O.#
DATE: 07/10/19		X
REFERENCE: X	SCALE: 1:24	SALES: X
QUOTED LEAD TIME: X	QUOTE #	FILE NAME:
	X	40-007-087