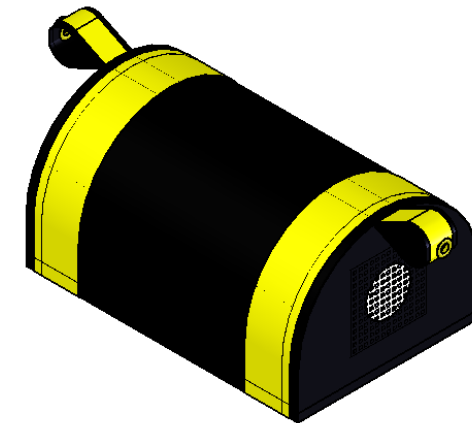
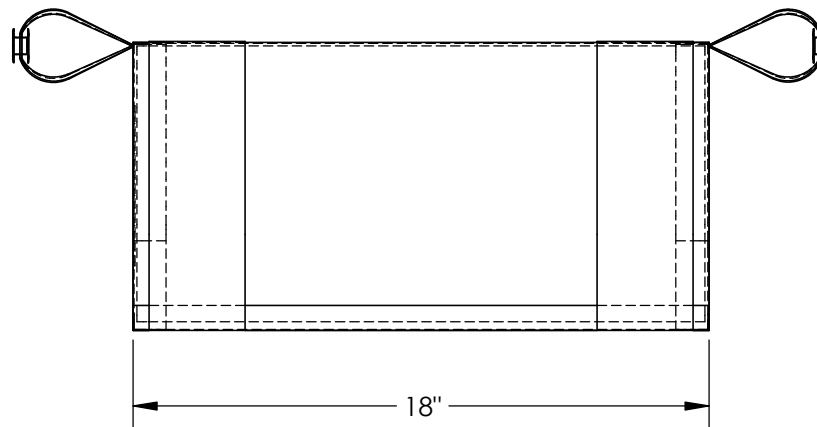
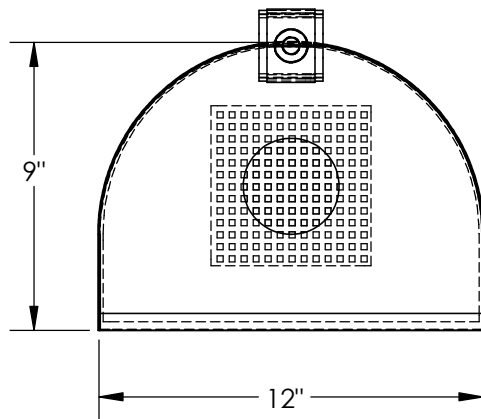


DOCK SEAL DRAFT BLOCKER - DRAFT-18

APPROX WEIGHT: 2.97 lbs.
DOES NOT INCLUDE WEIGHT OF POWER OR PACKAGING!!!

*** ANY ADDITIONS, DELETIONS, OR OMISSIONS MUST BE CORRECTED ON THIS DRAWING AS THIS DRAWING WILL BE CONSIDERED ALL INCLUSIVE ***

ALL GRAPHICS PROVIDED ARE FOR REFERENCE ONLY. IF CERTAIN DIMENSIONS ARE CRITICAL PLEASE VERIFY THOSE DIMENSIONS WITH YOUR SALESPERSON



STANDARD FEATURES

- MODEL NUMBER IS DRAFT-18
- OVERALL WIDTH IS 12"
- OVERALL LENGTH IS 18"
- OVERALL HEIGHT IS 9"
- TOP CARRYING HANDLES FOR EASY REMOVAL
- HEAVY DUTY VINYL CONSTRUCTION
- AIR VENT ALLOWS BAG TO RETURN TO ORIGINAL SHAPE
- HEAVY WEIGHTED BASE PROVIDES SEALING ACTION
- GROMMETS FOR TETHER ATTACHMENT (NOT INCLUDED)
- FILLED WITH FOAM FOR COMPRESSIBILITY
- YELLOW STRIPES OFFER HIGH VISIBILITY

DIMENSION TOLERANCE $\pm 1/4"$

A P P R O V A L	I, THE UNDERSIGNED, AGREE THAT THE PRODUCT AS REPRESENTED SATISFIES DESIGN AND DIMENSION REQUIREMENTS. I ALSO ACKNOWLEDGE MY DUTY TO CONFIRM PRODUCT AND INSTALLATION COMPLIANCE WITH ALL APPLICABLE FEDERAL, STATE AND LOCAL REGULATIONS AND STANDARDS.	
	ANY MODIFIED UNITS ARE NON-RETURNABLE	
	[] As drawn [] As marked	
	Signed: _____	Date: _____
Printed Name: _____		
LEAD TIME WILL START UPON RECEIPT OF SIGNED APPROVAL DRAWING		

SPECIAL FEATURES

NONE

FOR INTERNAL USE ONLY PROJECT SIGN OFF	
SALES	
ENG.	
FAB.	
POWER	

DISTRIBUTOR'S NAME:		P.O.#
VESTIL MANUFACTURING		X
DRAWN BY: BCN		DATE: 5/11/2016
REFERENCE: X		SCALE: 1:6
QUOTED LEAD TIME: X		QUOTE #
		X
		FILE NAME:
		35-007-050