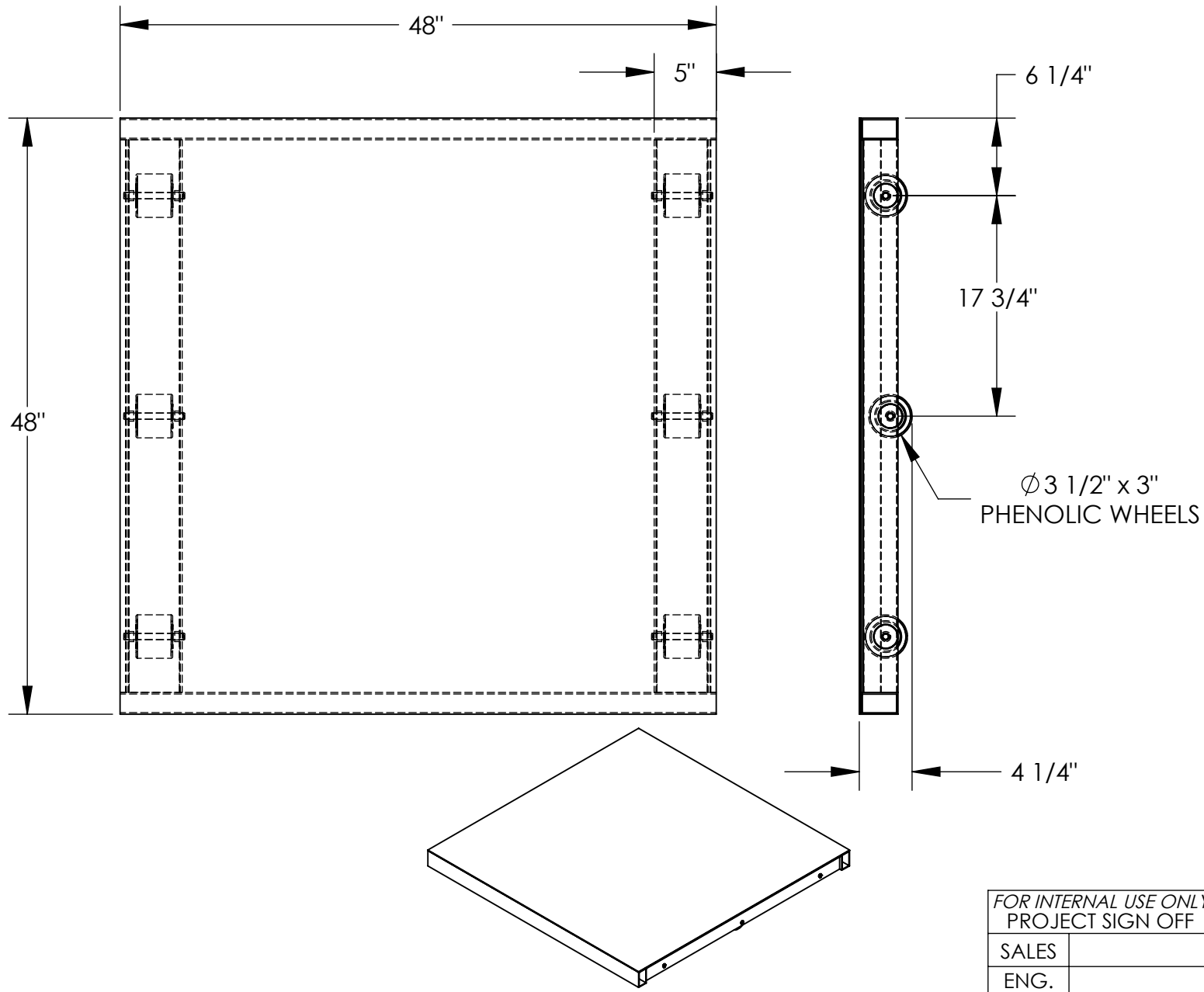


# ALUMINUM PALLET DOLLY - DOL-ST-4848-6T

APPROX WEIGHT: 67.33 lbs.  
 DOES NOT INCLUDE WEIGHT OF POWER OR PACKAGING!!!

\*\*\*ANY ADDITIONS, DELETIONS, OR OMISSIONS MUST BE CORRECTED ON THIS DRAWING AS THIS DRAWING WILL BE CONSIDERED ALL INCLUSIVE\*\*\*



|   |  |
|---|--|
| FOR INTERNAL USE ONLY<br>PROJECT SIGN OFF |  |
| SALES                                     |  |
| ENG.                                      |  |
| FAB.                                      |  |
| POWER                                     |  |

ALL GRAPHICS PROVIDED ARE FOR REFERENCE ONLY. IF CERTAIN DIMENSIONS ARE CRITICAL PLEASE VERIFY THOSE DIMENSIONS WITH YOUR SALESPERSON

## STANDARD FEATURES

- MODEL NUMBER IS DOL-ST-4848-6T
- CAPACITY IS 4,000 LBS.
- OVERALL WIDTH IS 48"
- OVERALL LENGTH IS 48"
- OVERALL HEIGHT IS 4 1/4"
- 6 ROLLERS  $\phi 3 \frac{1}{2} \times 3$ ", PHENOLIC TILT STYLE
- ALUMINUM CONSTRUCTION

## SPECIAL FEATURES

NONE

|   |  |  |
|---|--|--|
| <b>A<br/>P<br/>P<br/>R<br/>O<br/>V<br/>A<br/>L</b>                  | I, THE UNDERSIGNED, AGREE THAT THE PRODUCT AS REPRESENTED SATISFIES DESIGN AND DIMENSION REQUIREMENTS. I ALSO ACKNOWLEDGE MY DUTY TO CONFIRM PRODUCT AND INSTALLATION COMPLIANCE WITH ALL APPLICABLE FEDERAL, STATE AND LOCAL REGULATIONS AND STANDARDS. |  |
|   | <b>ANY MODIFIED UNITS ARE NON-RETURNABLE</b>   |  |
|   | [ ] As drawn      [ ] As marked  |  |
|   | Signed: _____ Date: _____  |  |
| Printed Name: _____   |  |  |
| <i>LEAD TIME WILL START UPON RECEIPT OF SIGNED APPROVAL DRAWING</i> |  |  |

|                             |             |            |
|-----------------------------|-------------|------------|
| DISTRIBUTOR'S NAME:         |             | P.O.#      |
| <b>VESTIL MANUFACTURING</b> |             | X          |
|                             |             | W.O.#      |
| DRAWN BY: NBE               |             | X          |
| DATE: 4/24/2020             |             | SALES: X   |
| REFERENCE: X                | SCALE: 1:12 | FILE NAME: |
| QUOTED LEAD TIME: X         | QUOTE # X   | 16-007-487 |