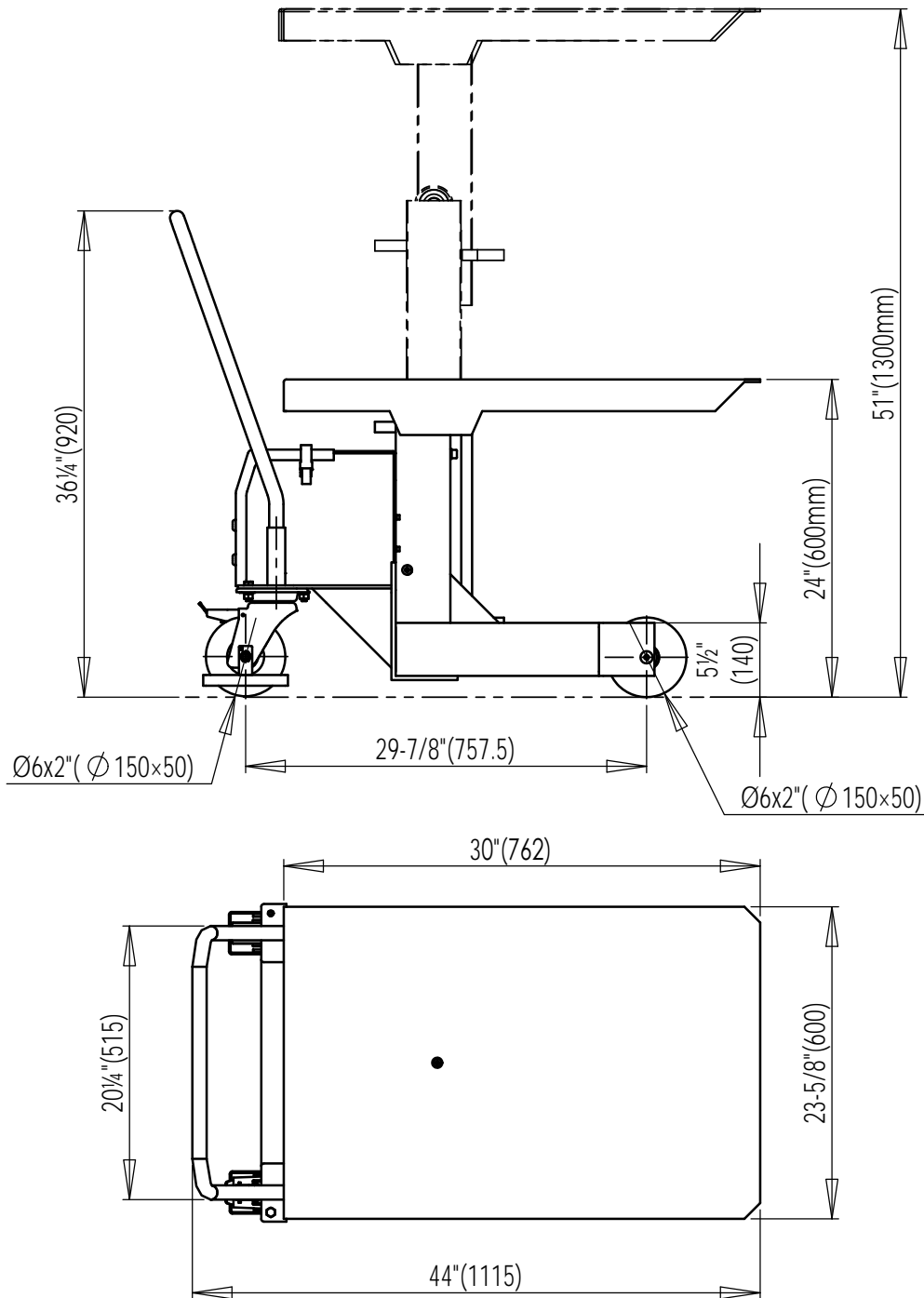


# DIE-2430-DC-C (DC POWERED DIE TABLE)



## Specifications

Capacity: 2,000 lbs. (907 kgs.)  
 Table size: 24x30" (600x762mm)  
 Raised Height: 51 (1300mm)  
 Lowered Height: 24 (600mm)  
 Lift Motor: 12V/1.2kw  
 Battery: 12V/135Ah  
 Charger: 12V/6amp  
 Wheel Size: Ø6X2" (Ø150X50mm)

<b>VESTIL MANUFACTURING CORP.</b>	
Model:	DIE-2430-DC-C
Descrip:	DIE TABLE
Design: T.M	Date: 05/02/17