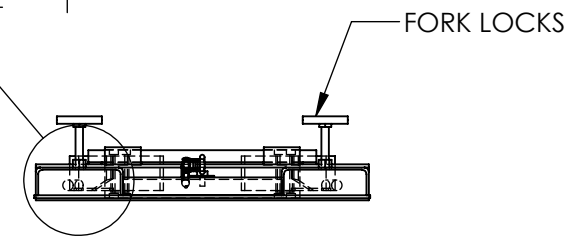
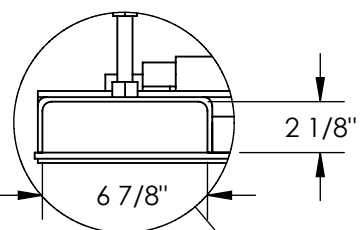
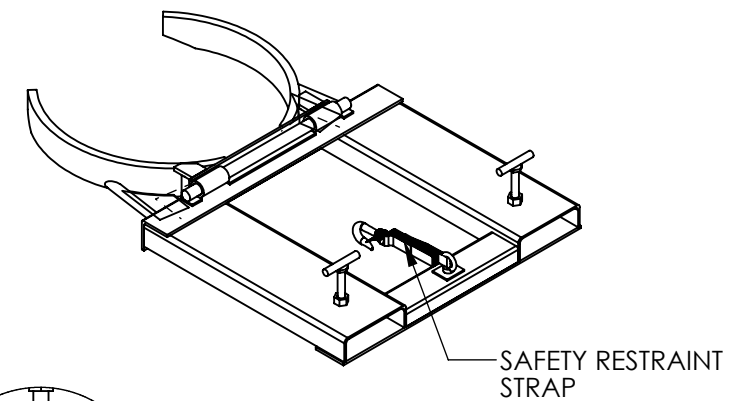
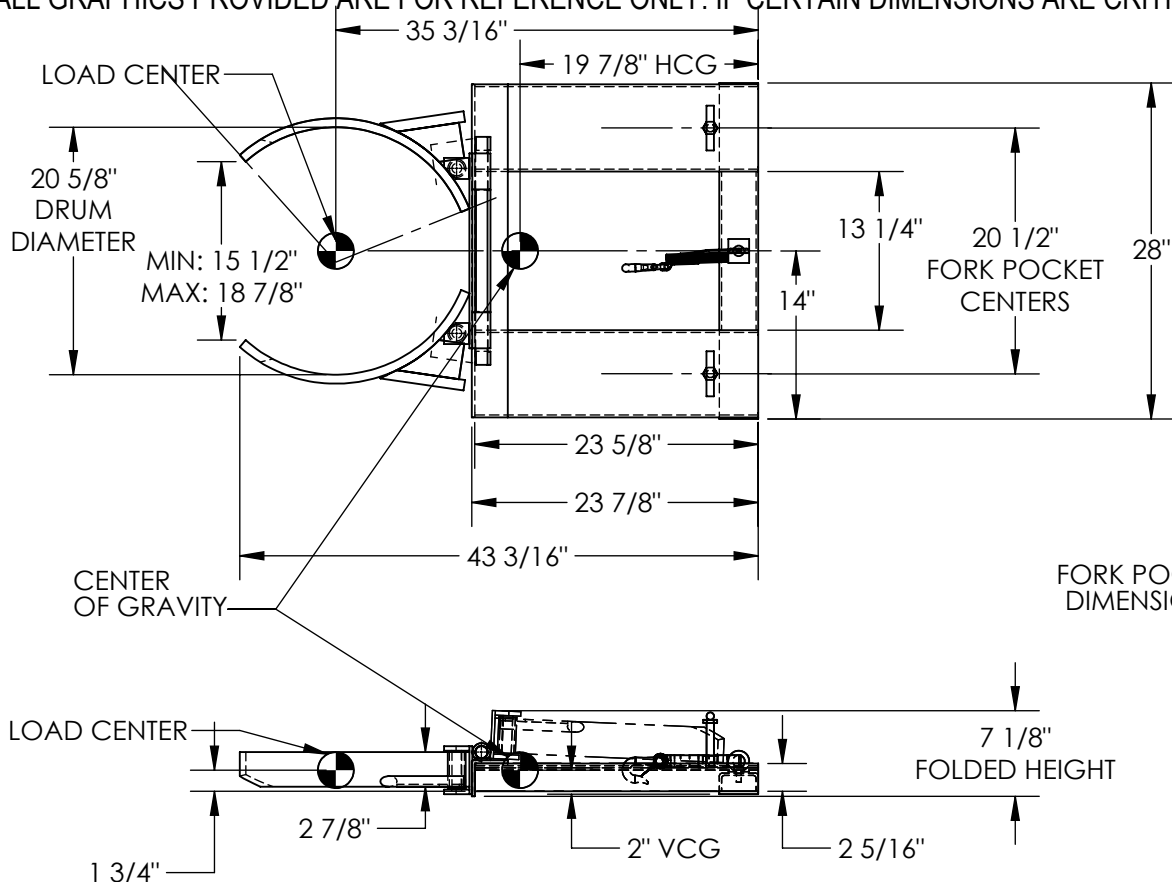


DRUM GRIPPERS - DGS-55-D

APPROX WEIGHT: 98.39 lbs.
DOES NOT INCLUDE WEIGHT OF POWER OR PACKAGING!!!

*** ANY ADDITIONS, DELETIONS, OR OMISSIONS MUST BE CORRECTED ON THIS DRAWING AS THIS DRAWING WILL BE CONSIDERED ALL INCLUSIVE ***

ALL GRAPHICS PROVIDED ARE FOR REFERENCE ONLY. IF CERTAIN DIMENSIONS ARE CRITICAL PLEASE VERIFY THOSE DIMENSIONS WITH YOUR SALESPERSON



DIMENSION TOLERANCE ± 1/2"

STANDARD FEATURES
 MODEL NUMBER IS DGS-55-D
 OVERALL WIDTH IS 28"
 USABLE WIDTH MIN: 15 1/2"
 MAX: 18 7/8"
 OVERALL LENGTH IS 43 3/16"
 USABLE LENGTH IS 23 5/8"
 FOLDED HEIGHT IS 7 1/8"
 MAX UNIFORM CAPACITY IS 1,500 LBS.
 FORK POCKET DIMENSIONS: 7 1/8" x 2 1/16" x 23 5/8"
 TOUGH BAKED IN POWDER COATED YELLOW

SPECIAL FEATURES
 NONE

APPROX. WEIGHT/ LOST LOAD= 99 LBS. (APPROX)
 MINIMUM EFFECTIVE THICKNESS= FORK LENGTH MINUS 23 5/8"
 NEVER EXCEED LOAD CENTER RATING PER FORK TRUCK MANUFACTURER'S GUIDELINES.
 DO NOT USE THIS FORK TRUCK ATTACHMENT IF LOAD WILL EXCEED FORK TRUCK MANUFACTURER'S LOAD CENTER RATING.

APPROVAL

I, THE UNDERSIGNED, AGREE THAT THE PRODUCT AS REPRESENTED SATISFIES DESIGN AND DIMENSION REQUIREMENTS. I ALSO ACKNOWLEDGE MY DUTY TO CONFIRM PRODUCT AND INSTALLATION COMPLIANCE WITH ALL APPLICABLE FEDERAL, STATE AND LOCAL REGULATIONS AND STANDARDS.
UNITS REQUIRING APPROVAL DRAWINGS OR MODIFIED ARE NON-RETURNABLE
 As drawn As marked

Signed: _____ Date: _____
 Printed Name: _____
 LEAD TIME WILL START UPON RECEIPT OF SIGNED APPROVAL DRAWING

DISTRIBUTOR'S NAME:		P.O.#
VESTIL MANUFACTURING		X
DRAWN BY: KJY		W.O.#
DATE: 06/22/12		X
REFERENCE: X	SCALE: 1:16	SALES: X
QUOTED LEAD TIME: X	QUOTE # X	FILE NAME:
		09-007-172