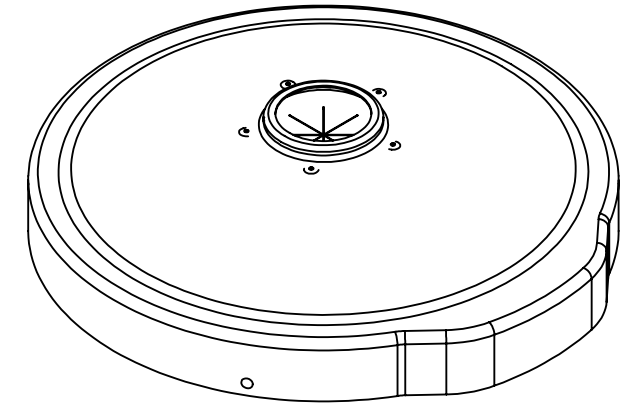
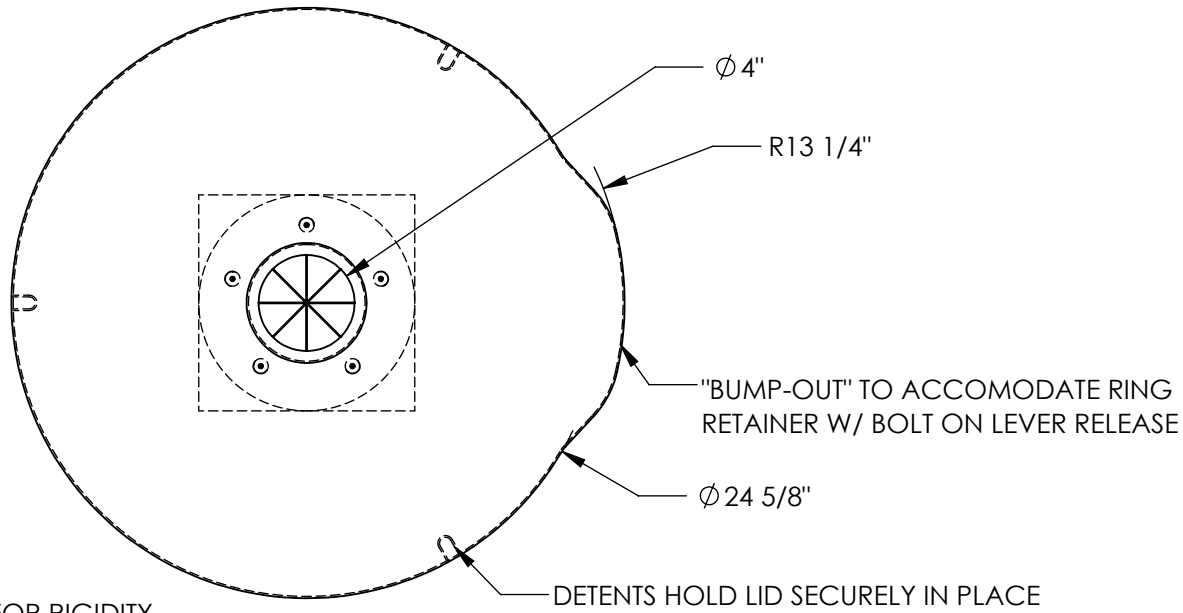


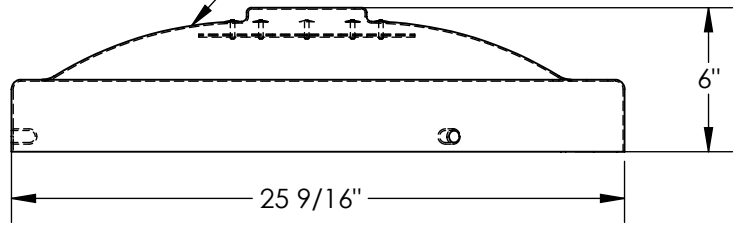
DOMED RECYCLING LID W/ FLAPS- DC-P-55-CANF-UF-BK

APPROX WEIGHT: 3 lbs.
 DOES NOT INCLUDE WEIGHT OF POWER OR PACKAGING!!!

*** ANY ADDITIONS, DELETIONS, OR OMISSIONS MUST BE CORRECTED ON THIS DRAWING AS THIS DRAWING WILL BE CONSIDERED ALL INCLUSIVE ***
 ALL GRAPHICS PROVIDED ARE FOR REFERENCE ONLY. IF CERTAIN DIMENSIONS ARE CRITICAL PLEASE VERIFY THOSE DIMENSIONS WITH YOUR SALESPERSON



DOMED LID FOR RIGIDITY
 AND WEATHER DEFLECTION



DIMENSION TOLERANCE ± 1/4"

STANDARD FEATURES

- MODEL NUMBER IS DC-P-55-CANF-UF-BK
- OVERALL DIAMETER IS Ø24 5/8"
- OVERALL LENGTH IS 25 9/16"
- OVERALL HEIGHT IS 6"
- DIAMETER OF HOLE IS 4"
- FLAPS DISCOURAGE REMOVAL OF CONTENTS
- MADE FROM LOW-DENSITY POLYETHYLENE
- DETENTS HOLD LID SECURELY IN PLACE
- DOMED LID FOR RIGIDITY AND WEATHER DEFLECTION
- "BUMP-OUT" ON OUTER DIAMETER WILL ACCOMODATE RING RETAINER W/ BOLT OR INSIDE OR OUTSIDE LEVER RELEASE
- COLOR IS BLACK
- WORKS WITH 55 GALLON, CLOSED OR OPEN HEAD DRUMS

SPECIAL FEATURES

NONE

APPROVAL

I, THE UNDERSIGNED, AGREE THAT THE PRODUCT AS REPRESENTED SATISFIES DESIGN AND DIMENSION REQUIREMENTS. I ALSO ACKNOWLEDGE MY DUTY TO CONFIRM PRODUCT AND INSTALLATION COMPLIANCE WITH ALL APPLICABLE FEDERAL, STATE AND LOCAL REGULATIONS AND STANDARDS.

ANY MODIFIED UNITS ARE NON-RETURNABLE

As drawn As marked

Signed: _____ Date: _____

Printed Name: _____

LEAD TIME WILL START UPON RECEIPT OF SIGNED APPROVAL DRAWING

FOR INTERNAL USE ONLY PROJECT SIGN OFF	
SALES	
ENG.	
FAB.	
POWER	

DISTRIBUTOR'S NAME:		P.O.#
VESTIL MANUFACTURING		X
W.O.#		X
DRAWN BY: BCN	DATE: 1/22/2019	SALES: X
REFERENCE: X	SCALE: 1:8	FILE NAME:
QUOTED LEAD TIME: X	QUOTE # X	31-007-251