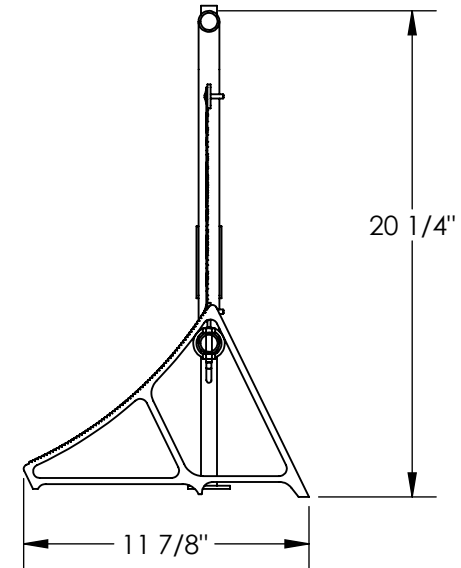
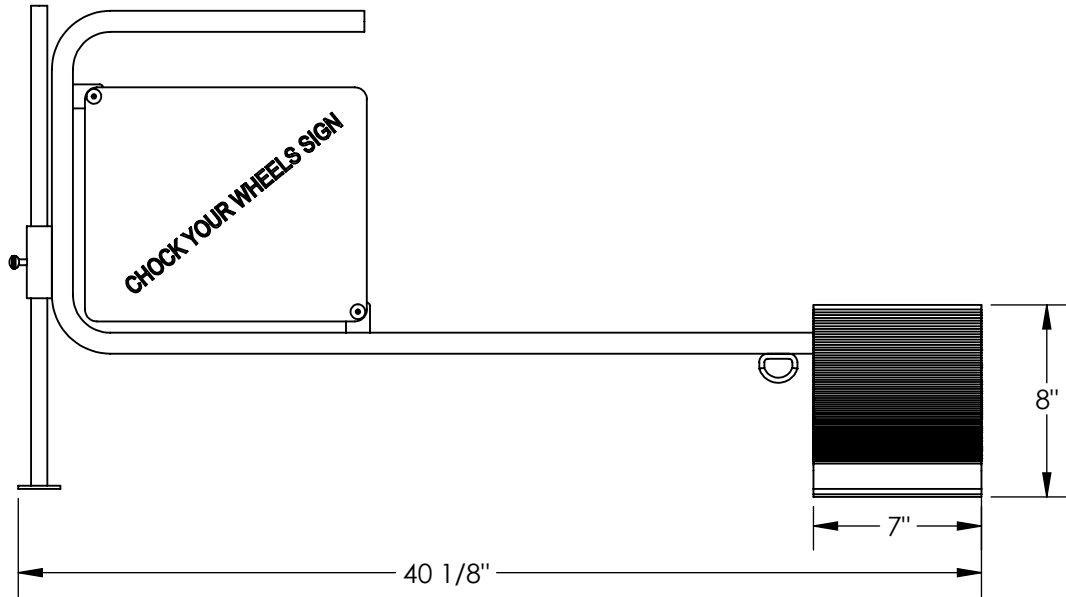


ALUMINUM WHEEL CHOCK W/ FLAG - CWS-13

APPROX WEIGHT: 12.91 lbs.
 DOES NOT INCLUDE WEIGHT OF POWER OR PACKAGING!!!

*** ANY ADDITIONS, DELETIONS, OR OMISSIONS MUST BE CORRECTED ON THIS DRAWING AS THIS DRAWING WILL BE CONSIDERED ALL INCLUSIVE ***

ALL GRAPHICS PROVIDED ARE FOR REFERENCE ONLY. IF CERTAIN DIMENSIONS ARE CRITICAL PLEASE VERIFY THOSE DIMENSIONS WITH YOUR SALESPERSON



STANDARD FEATURES

- MODEL NUMBER IS CWS-13
- OVERALL WIDTH IS: 40 1/8"
- WHEEL CHOCK WIDTH IS: 7"
- OVERALL DEPTH IS: 11 7/8"
- OVERALL HEIGHT IS: 20 1/4"
- WHEEL CHOCK HEIGHT IS: 8"
- INCLUDES "CHOCK YOUR WHEELS" SIGN

DIMENSION TOLERANCE ± 1/4"

| | | |
|---|--|------------------------------------|
| A P P R O V A L | I, THE UNDERSIGNED, AGREE THAT THE PRODUCT AS REPRESENTED SATISFIES DESIGN AND DIMENSION REQUIREMENTS. I ALSO ACKNOWLEDGE MY DUTY TO CONFIRM PRODUCT AND INSTALLATION COMPLIANCE WITH ALL APPLICABLE FEDERAL, STATE AND LOCAL REGULATIONS AND STANDARDS. | |
| | ANY MODIFIED UNITS ARE NON-RETURNABLE | |
| | <input type="checkbox"/> As drawn | <input type="checkbox"/> As marked |
| | Signed: _____ Date: _____ | |
| Printed Name: _____ | | |
| <i>LEAD TIME WILL START UPON RECEIPT OF SIGNED APPROVAL DRAWING</i> | | |

SPECIAL FEATURES

NONE

| | |
|---|--|
| FOR INTERNAL USE ONLY PROJECT SIGN OFF | |
| SALES | |
| ENG. | |
| FAB. | |
| POWER | |

| | | |
|----------------------|------------|------------|
| DISTRIBUTOR'S NAME: | | P.O.# |
| VESTIL MANUFACTURING | | X |
| DRAWN BY: RPS | | W.O.# |
| DATE: 9/20/2012 | | X |
| REFERENCE: X | SCALE: 1:8 | SALES: X |
| QUOTED LEAD TIME: X | QUOTE # | FILE NAME: |
| | X | 23-007-468 |