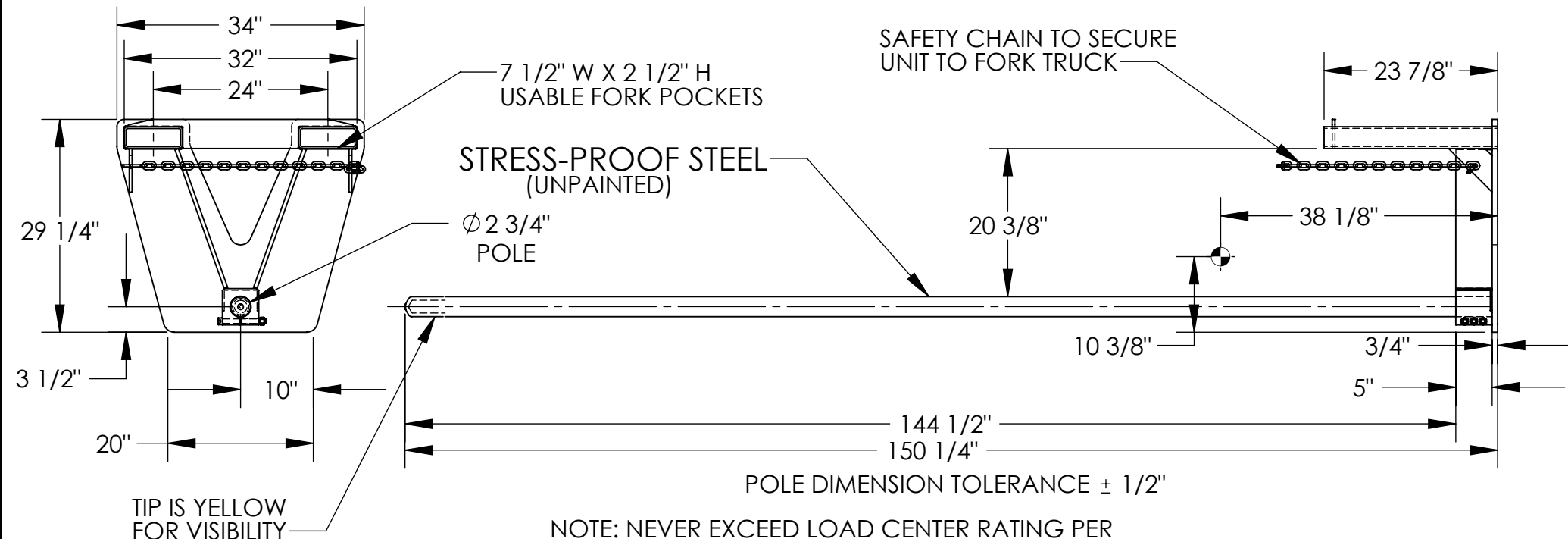


# FORK MOUNTED INVERTED RUG-RAM - CRP-144

APPROX WEIGHT: 518.89 lbs.  
 DOES NOT INCLUDE WEIGHT OF POWER OR PACKAGING!!!

\*\*\* ANY ADDITIONS, DELETIONS, OR OMISSIONS MUST BE CORRECTED ON THIS DRAWING AS THIS DRAWING WILL BE CONSIDERED ALL INCLUSIVE \*\*\*

ALL GRAPHICS PROVIDED ARE FOR REFERENCE ONLY. IF CERTAIN DIMENSIONS ARE CRITICAL PLEASE VERIFY THOSE DIMENSIONS WITH YOUR SALESPERSON



NOTE: NEVER EXCEED LOAD CENTER RATING PER FORK TRUCK MANUFACTURER'S GUIDELINES. DO NOT USE THIS FORK TRUCK ATTACHMENT IF LOAD WILL EXCEED FORK TRUCK MANUFACTURER'S LOAD CENTER RATING.

DIMENSION TOLERANCE ± 1/4"

HORIZONTAL CENTER OF GRAVITY: 38 1/8"  
 VERTICAL CENTER OF GRAVITY: 10 3/8"  
 LOST LOAD: 519 LBS. (APPROX.)  
 MINIMUM EFFECTIVE THICKNESS= LESS THAN 1"

## STANDARD FEATURES

MODEL NUMBER: CRP-144  
 CAPACITY: 1,800 LBS. UNIFORM CAPACITY  
 POLE LENGTH: 144 1/2"  
 POLE DIAMETER: 2 3/4"  
 OVERALL LENGTH: 150 1/4"  
 OVERALL HEIGHT: 29 1/4"  
 OVERALL WIDTH: 34"  
 FORK POCKETS ARE 7 1/2" W x 2 1/2" H  
 USABLE ON 24" FORK CENTERS  
 WITH SAFETY CHAIN TO SECURE TO THE  
 UNIT TO THE MAST OF THE FORK TRUCK  
 DURABLE LIQUID PAINT BLUE FINISH

## SPECIAL FEATURES

NONE

<b>APPROVAL</b>	I, THE UNDERSIGNED, AGREE THAT THE PRODUCT AS REPRESENTED SATISFIES DESIGN AND DIMENSION REQUIREMENTS. I ALSO ACKNOWLEDGE MY DUTY TO CONFIRM PRODUCT AND INSTALLATION COMPLIANCE WITH ALL APPLICABLE FEDERAL, STATE AND LOCAL REGULATIONS AND STANDARDS.	
	<b>UNITS REQUIRING APPROVAL DRAWINGS OR MODIFIED ARE NON-RETURNABLE</b>	
	<input type="checkbox"/> As drawn	<input type="checkbox"/> As marked
	Signed: _____	Date: _____
	Printed Name: _____	
	LEAD TIME WILL START UPON RECEIPT OF SIGNED APPROVAL DRAWING	

DISTRIBUTOR'S NAME:		P.O.#
VESTIL MANUFACTURING		X
DRAWN BY: BJW		W.O.#
DATE: 1/12/2008		X
REFERENCE: X	SCALE: 1:20	SALES: X
QUOTED LEAD TIME: X	QUOTE # X	FILE NAME:
		08-007-057