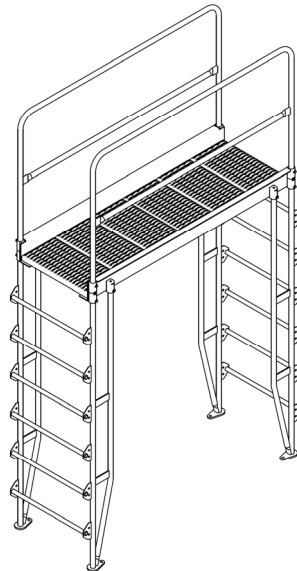




VESTIL MANUFACTURING CORP.
 2999 North Wayne Street, P.O. Box 507, Angola, IN 46703
 Telephone: (260) 665-7586 -or- Toll Free (800) 348-0868
 Fax: (260) 665-1339
www.vestilmfg.com e-mail: sales@vestil.com

COLV-7 SERIES VERTICAL CROSSOVER LADDERS

INSTRUCTION MANUAL



Receiving instructions:

Remove the packaging from the product in a manner that preserves the packaging. Then, inspect the product closely to determine whether it sustained damage during transport. If damage is discovered, immediately record a complete description of the damage on the bill of lading. If the product is undamaged, discard the packaging.

NOTES:

1) Compliance with laws, regulations, codes, and non-voluntary standards enforced in the location where the product is *used* is exclusively the responsibility of the owner/end-user.

2) VESTIL is **not liable** for any injury or property damage that occurs as a consequence of failing to apply either: a) Instructions in this manual; or b) Information provided on labels affixed to the product.

Vestil is not responsible for *any* consequential damages sustained as a result of failing to apply the instructions in this manual while assembling, installing, using or maintaining this product.

Table of Contents

Signal words.....	2
Safe use recommendations.....	2
Specifications.....	3
FIG. 1: COLV-7-82-8 exploded parts diagram and bill of materials.....	3
FIG. 2: COLV-7-82-20 exploded parts diagram & bill of materials.....	4
FIG. 3: COLV-7-82-32 exploded parts diagram & bill of materials.....	4
FIG. 4: COLV-7-82-44 exploded parts diagram & bill of materials.....	4
FIG. 5: COLV-7-82-56 exploded parts diagram & bill of materials.....	5
Installation instructions.....	5 - 6
Inspections & Maintenance.....	6
Labeling diagram.....	7
Limited warranty.....	8

Signal Words:

This manual uses SIGNAL WORDS to indicate the likelihood of personal injuries, as well as the probable seriousness of those injuries if the product is misused. Other signal words call attention to uses of the product likely to cause property damage. The signal words used appear below along with the meaning of each word.



Identifies a hazardous situation which, if not avoided, **WILL** result in **DEATH** or **SERIOUS INJURY**. Use of this signal word is limited to the most extreme situations.



Identifies a hazardous situation which, if not avoided, **COULD** result in **DEATH** or **SERIOUS INJURY**.



Indicates a hazardous situation which, if not avoided, **COULD** result in **MINOR** or **MODERATE** injury.



Identifies practices likely to result in product or property damage, such as operation that might damage the product.

Safe use recommendations:

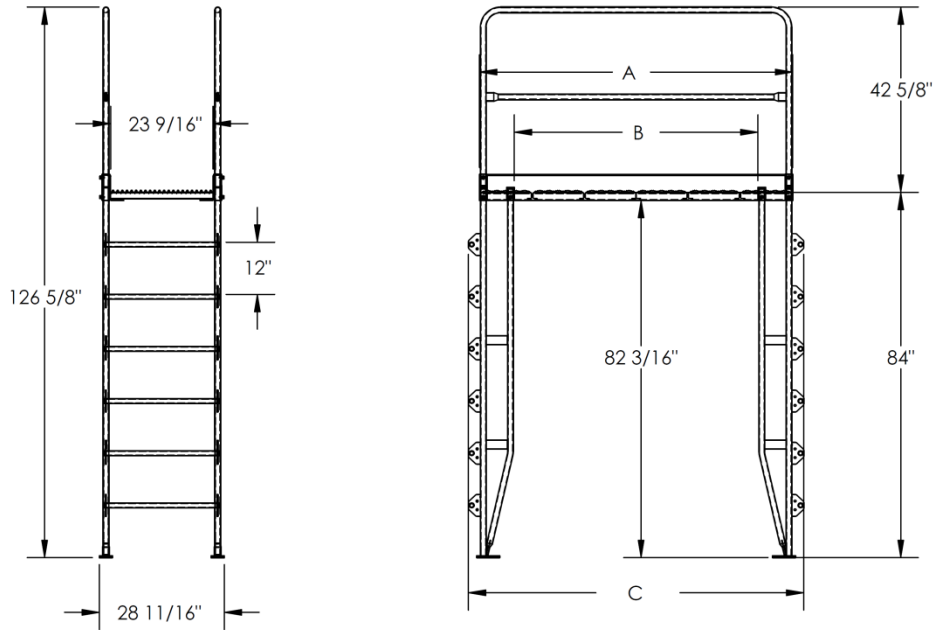
Vestil strives to identify foreseeable hazards associated with the use of its products. However, no manual can address every conceivable risk.

WARNING If this product is used improperly or carelessly, the operator and/or bystanders might sustain serious personal injuries. **ALWAYS** use the product properly:

- *Failure to read and understand the entire manual before installing, using or servicing the product constitutes misuse.* Read the manual to refresh your understanding of proper use and maintenance procedures.
- DO NOT exceed the maximum rated load.
- Inspect the unit as described in the “Inspections & Maintenance” section of this manual. DO NOT continue to use the crossover ladder if structural damage is discovered during the inspection. Examples of structural damage include: 1) severely bent or damaged risers (steps); 2) bent or severely damaged handrails; 3) cracked welds; 4) damaged fasteners, particularly those used to fasten the step segments to the deck; 5) extreme corrosion. Immediately tag the ladder “Out of service”. DO NOT use it until it is restored to normal condition. ONLY install manufacturer-approved replacement parts.
- DO NOT use the ladder if any unusual noise or movement is observed when weight is applied to it. Instead, remove the unit from service and notify maintenance personnel about the issue.
- DO NOT put the unit into service until it is securely fastened to the floor with $\frac{1}{2}$ ” anchor bolts of appropriate length (determined by your building engineer).
- DO NOT store articles on the steps or deck of this unit.
- DO NOT remove or obscure any label. All product labels must be easily readable. Replace missing, damaged, or faded labels.
- DO NOT modify this crossover ladder in any way. Unauthorized modifications automatically void the limited warranty (see p. 8) and might make the table unsafe to use.

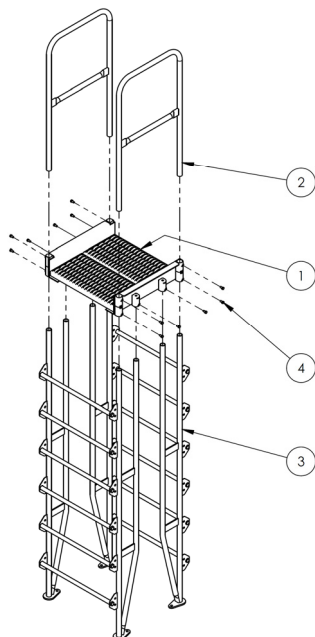
Specifications:

Dimensions and other specifications for all standard models appear in the diagrams and table below.



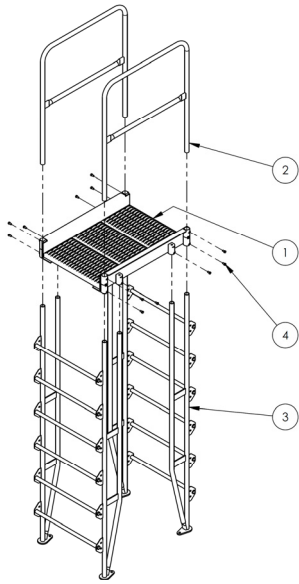
Model	Capacity	A	B	C	Net Weight
COLV-7-82-8	500 lb.	24"	8"	29 ¹ / ₁₆ "	243.9 lb.
COLV-7-82-20	500 lb.	36"	20"	41 ¹ / ₁₆ "	278.3 lb.
COLV-7-82-32	500 lb.	48"	32"	53 ¹ / ₁₆ "	312.7 lb.
COLV-7-82-44	500 lb.	60"	44"	65 ¹ / ₁₆ "	347.2 lb.
COLV-7-82-56	500 lb.	72"	56"	77 ¹ / ₁₆ "	381.6 lb.

FIG. 1: COLV-7-82-8 exploded parts diagram and bill of materials



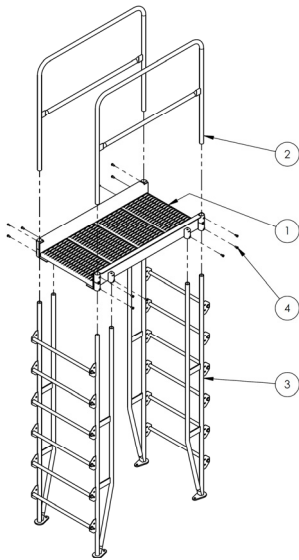
Item no.	Part no.	Description	Qty.
1	44-513-020	Weldment, deck, platform 2-step	1
2	44-524-173	Weldment, handrail, 2-step platform	2
3	44-647-293	Weldment, steps, vertical	2
4	11103	Hex bolt, grade A, zinc plated, ³ / ₈ " - 16 x ³ / ₄ "	12

FIG. 2: COLV-7-82-20 exploded parts diagram and bill of materials



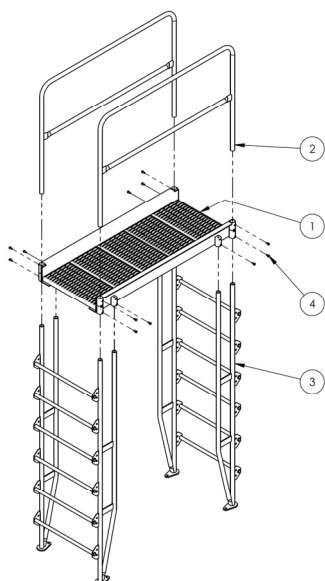
Item no.	Part no.	Description	Qty.
1	44-513-021	Weldment, deck, platform 3-step	1
2	44-524-174	Weldment, handrail, 3-step platform	2
3	44-647-293	Weldment, steps, vertical	2
4	11103	Hex bolt, grade A, zinc plated, $\frac{3}{8}$ " – 16 $\times \frac{3}{4}$ "	12

FIG. 3: COLV-7-82-32 exploded parts diagram and bill of materials



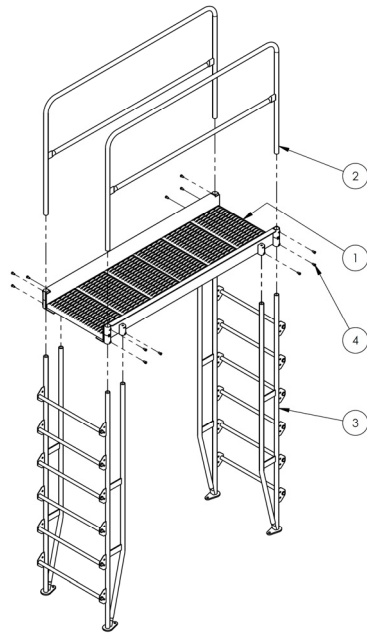
Item no.	Part no.	Description	Qty.
1	44-513-022	Weldment, deck, platform 4-step	1
2	44-524-175	Weldment, handrail, 4-step platform	2
3	44-647-292	Weldment, steps, vertical	2
4	11103	Hex bolt, grade A, zinc plated, $\frac{3}{8}$ " – 16 $\times \frac{3}{4}$ "	12

FIG. 4: COLV-7-82-44 exploded parts diagram and bill of materials



Item no.	Part no.	Description	Qty.
1	44-513-023	Weldment, deck, platform 5-step	1
2	44-524-176	Weldment, handrail, 5-step platform	2
3	44-647-293	Weldment, steps, vertical	2
4	11103	Hex bolt, grade A, zinc plated, $\frac{3}{8}$ " – 16 $\times \frac{3}{4}$ "	12

FIG. 5: COLV-7-82-56 exploded parts diagram and bill of materials

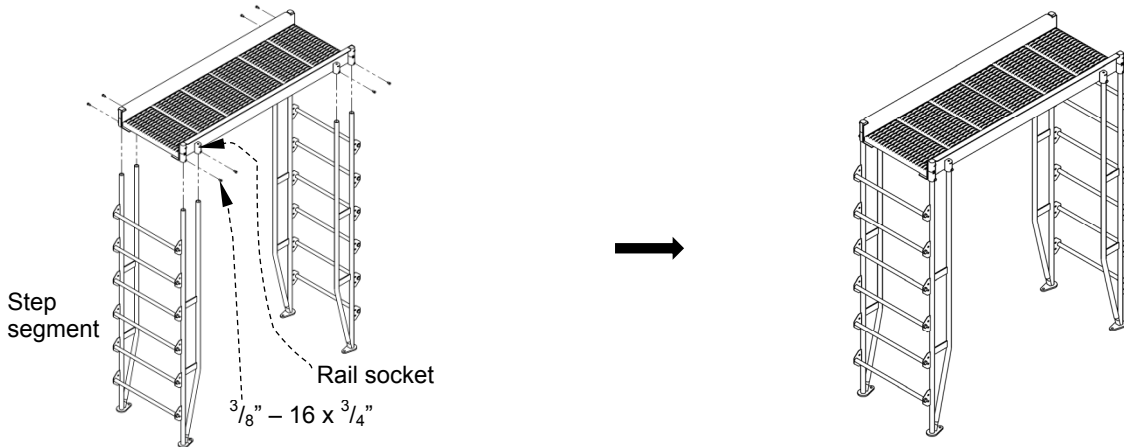


Item no.	Part no.	Description	Qty.
1	44-513-024	Weldment, deck, platform 6-step	1
2	44-524-177	Weldment, handrail, 6-step platform	2
3	44-647-293	Weldment, steps, vertical	2
4	11103	Hex bolt, grade A, zinc plated, $\frac{3}{8}$ " - 16 x $\frac{3}{4}$ "	12

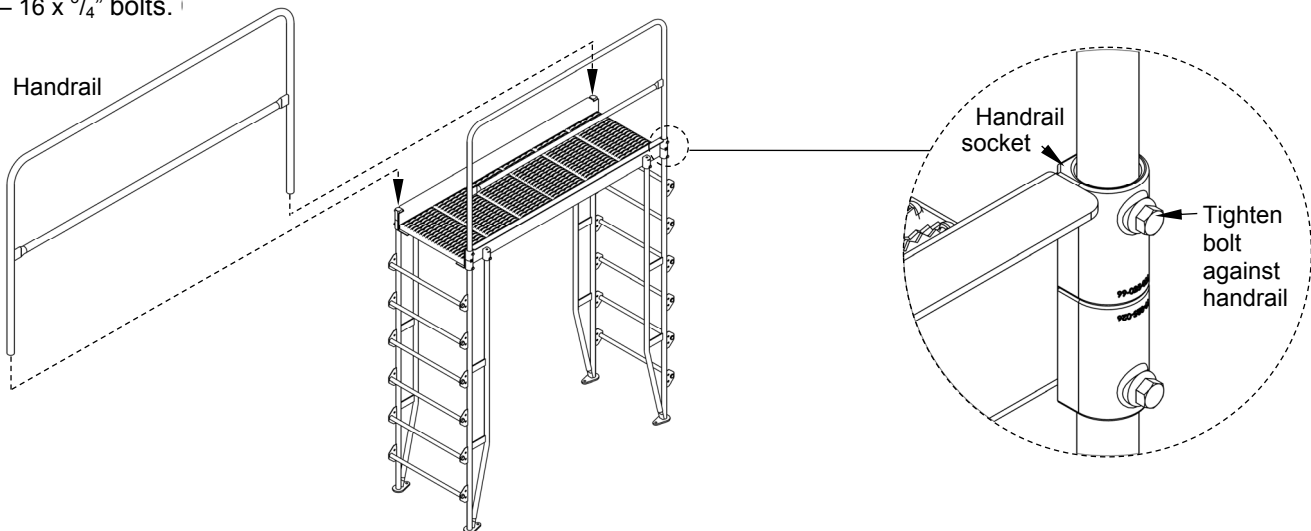
Installation Instructions:

Follow steps 1-3 to properly assemble and install this crossover ladder. Numbers in parentheses correspond to item numbers in the exploded parts diagrams on p. 3-5.

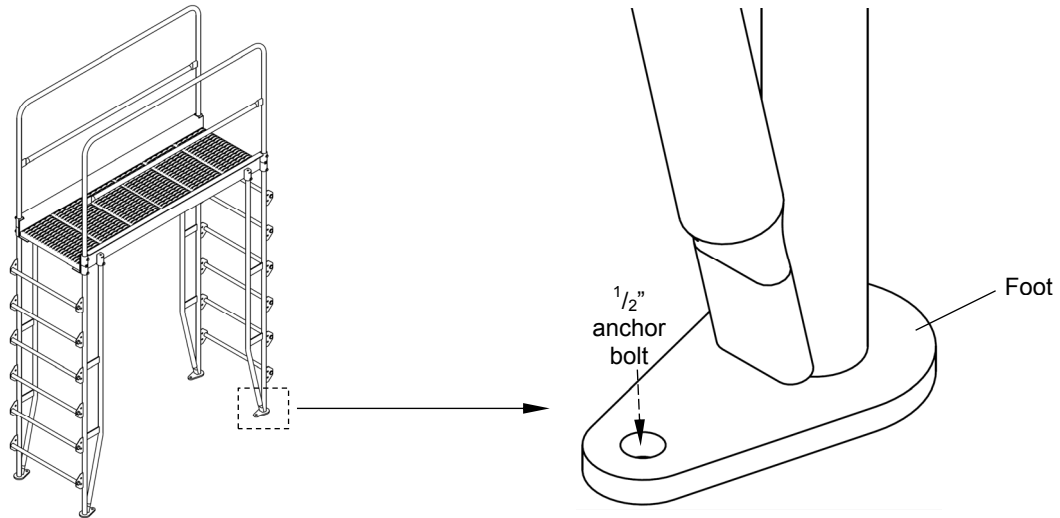
Step 1: As shown in the diagrams below, attach the deck (1) to the step segments (3) by inserting the side rails into the rail sockets. Clamp the rails in the sockets with $\frac{3}{8}$ " - 16 x $\frac{3}{4}$ " bolts.



Step 2: Install the handrails. Insert the legs of the handrails into the handrail sockets. Secure the connections with $\frac{3}{8}$ " - 16 x $\frac{3}{4}$ " bolts.



Step 3: Fasten all four feet to the ground using $\frac{1}{2}$ " (diameter) anchor bolts. Your building engineer should determine the appropriate length of the anchor bolts.



Inspections & Maintenance:

Regular inspections and maintenance are necessary to preserve this product in normal working condition.

Initial inspection:

Before putting the ladder into service, inspect it to confirm structural soundness. When tightly bolted together, the steps and deck should be square and rigid. Handrails should not wobble. Make a record of the ladder's condition, e.g. write notes and/or take a series photographs that document the appearance of the ladder. Use the record as a means for establishing "normal condition".

After the initial inspection, examine the ladder at least once per month. Compare the condition of the components listed below to the record made before the ladder was put into service.

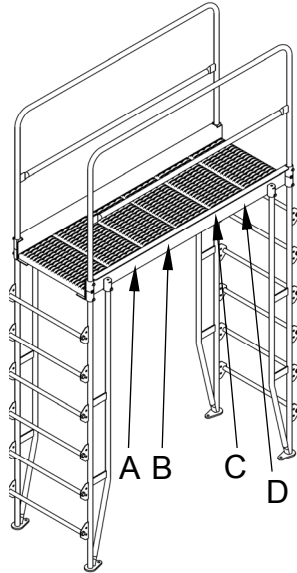
- All frame pieces (step weldments, deck, sockets) and all fasteners (bolts, nuts, pins): Inspect each part for damage such as extreme wear, bends, and cracks. Replace all parts that are damaged before using the ladder again. All frame pieces should be square, rigid, and free of rust and corrosion.
- Handrails: Examine the handrails. Confirm that each handrail is solidly retained by its sockets (handrails should not wobble). Check all bolts and tighten all loose connections.

Maintenance: In addition to correcting issues discovered during inspections, maintain the ladder by

- Cleaning the ladder to remove dirt and grime, especially from step surfaces.
- Applying touchup paint wherever the finish is damaged. Remove rust with steel wool or a metal bristle brush before applying touch-up paint.

Labeling diagram:

Your crossover ladder should always be labeled as shown below. Replace any label that is damaged, missing, or not easily readable.



A: Label 821

SAFETY FIRST	SEGURIDAD PRIMERO
Read owners manual and all labels before using.	Lea el manual del propietario y todas las etiquetas antes del uso. 821

B: Label 287

MODEL/MODÉLO/MODÈLE _____
STATIC CAPACITY (evenly distributed) _____ lbs.
LA CAPACIDAD CONSTANTE (distribuida uniformemente) _____ kgs.
CAPACITÉ STATIQUE (distribuée régulièrement) _____ kgs.
SERIAL/SERIE/SÉRIE _____
287 REV 0812

C: Label 740

▲ WARNING	▲ ADVERTENCIA	▲ AVERTISSEMENT
<ul style="list-style-type: none"> Do not use near live electric lines Do not climb rails or lean over rails Do not use if damaged or worn Use ladder on level, smooth surfaces only 	<ul style="list-style-type: none"> No use cerca de líneas electricas No se suba o se asome en la barandilla No use si esta danado o gastado Use la escalera en superficies a nivel y lisas 	<ul style="list-style-type: none"> Ne pas utiliser près des lignes électriques sous tension Ne pas grimper sur ou vous pencher des rails Ne pas utiliser si endommagée ou usagée Utiliser l'échelle seulement sur des surfaces plates et lisses

D: Label 204

▲ WARNING	▲ ADVERTENCIA	▲ AVERTISSEMENT
SECURE FRAME TO FLOOR	ASEGURE EL BASTIDOR AL PISO	FIXER SOLIDEMENT LE CADRE AU PLANCHER

LIMITED WARRANTY

Vestil Manufacturing Corporation (“Vestil”) warrants this product to be free of defects in material and workmanship during the warranty period. *Our warranty obligation is to provide a replacement for a defective original part if the part is covered by the warranty, after we receive a proper request from the warrantee (you) for warranty service.*

Who may request service?

Only a warrantee may request service. *You are a warrantee if you purchased the product from Vestil or from an authorized distributor AND Vestil has been fully paid.*

What is an “original part”?

An original part is a part used to make the product as shipped to the warrantee.

What is a “proper request”?

A request for warranty service is proper if Vestil receives: 1) a photocopy of the Customer Invoice that displays the shipping date; AND 2) a written request for warranty service including your name and phone number. Send requests by any of the following methods:

<u>Mail</u>	<u>Fax</u>	<u>Email</u>
Vestil Manufacturing Corporation 2999 North Wayne Street, PO Box 507 Angola, IN 46703	(260) 665-1339 <u>Phone</u> (260) 665-7586	sales@vestil.com

In the written request, list the parts believed to be defective and include the address where replacements should be delivered.

What is covered under the warranty?

After Vestil receives your request for warranty service, an authorized representative will contact you to determine whether your claim is covered by the warranty. Before providing warranty service, Vestil may require you to send the entire product, or just the defective part or parts, to its facility in Angola, IN. The warranty covers defects in the following original dynamic components: motors, hydraulic pumps, electronic controllers, switches and cylinders. It also covers defects in original parts that wear under normal usage conditions (“wearing parts”), such as bearings, hoses, wheels, seals, brushes, and batteries.

How long is the warranty period?

The warranty period for original dynamic components is 90 days. For wearing parts, the warranty period is 90 days. The warranty periods begin on the date when Vestil ships the product to the warrantee. If the product was purchased from an authorized distributor, the periods begin when the distributor ships the product. Vestil may, at its sole discretion, extend the warranty periods for products shipped from authorized distributors by up to 30 days to account for shipping time.

If a defective part is covered by the warranty, what will Vestil do to correct the problem?

Vestil will provide an appropriate replacement for any covered part. An authorized representative of Vestil will contact you to discuss your claim.

What is not covered by the warranty?

1. Labor;
2. Freight;
3. Occurrence of any of the following, which automatically voids the warranty:
 - Product misuse;
 - Negligent operation or repair;
 - Corrosion or use in corrosive conditions;
 - Inadequate or improper maintenance;
 - Damage sustained during shipping;
 - Accidents involving the product;
 - Unauthorized modifications: DO NOT modify the product IN ANY WAY without first receiving written authorization from Vestil. Modification(s) might make the product unsafe to use or might cause excessive and/or abnormal wear.

Do any other warranties apply to the product?

Vestil Manufacturing Corp. makes no other express warranties. All implied warranties are disclaimed to the extent allowed by law. Any implied warranty not disclaimed is limited in scope to the terms of this Limited Warranty.

