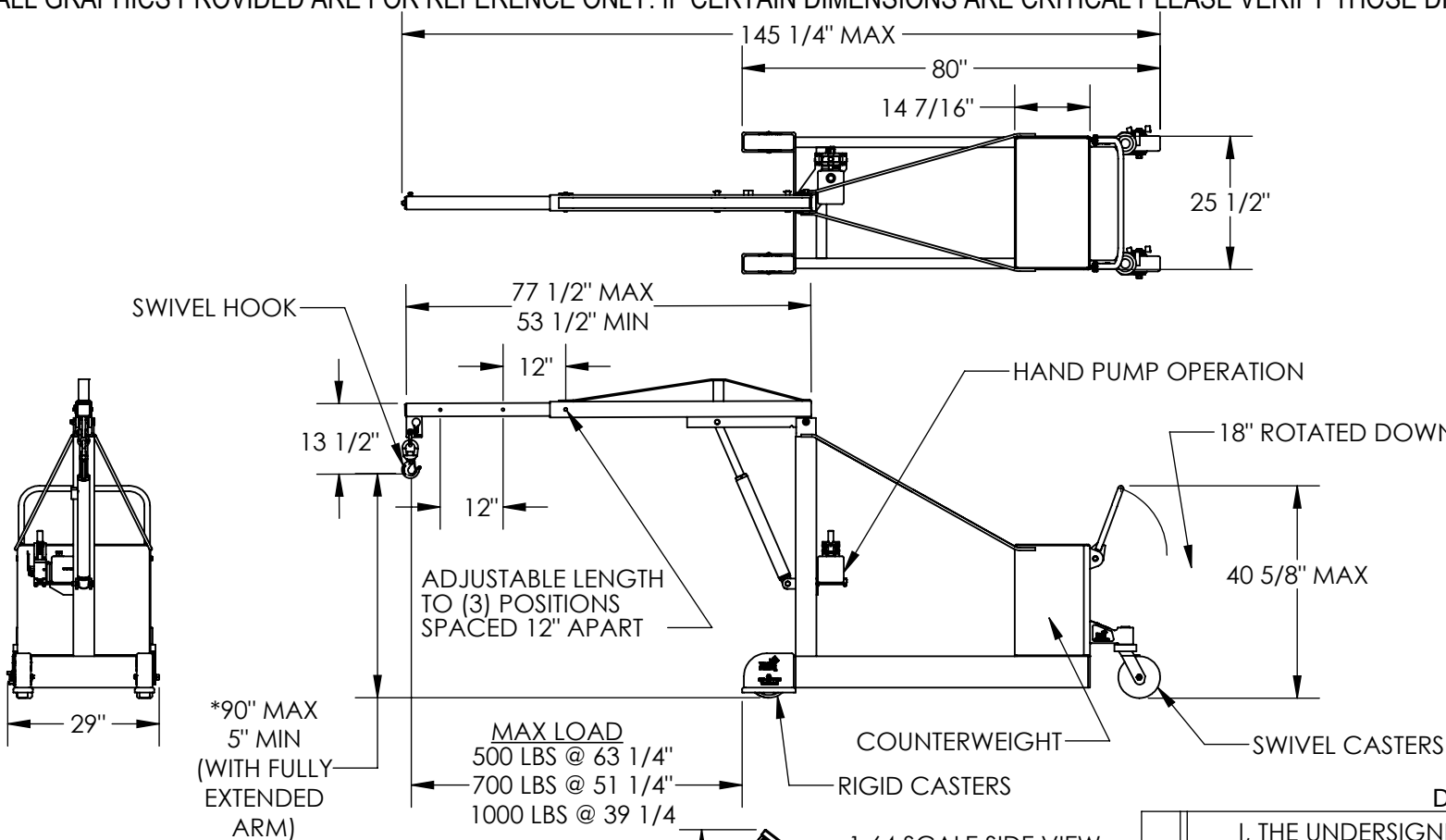


COUNTER BALANCED FLOOR CRANE - CBFC-1000

APPROX WEIGHT: 605.49 lbs.
DOES NOT INCLUDE WEIGHT OF POWER OR PACKAGING!!!

*** ANY ADDITIONS, DELETIONS, OR OMISSIONS MUST BE CORRECTED ON THIS DRAWING AS THIS DRAWING WILL BE CONSIDERED ALL INCLUSIVE ***

ALL GRAPHICS PROVIDED ARE FOR REFERENCE ONLY. IF CERTAIN DIMENSIONS ARE CRITICAL PLEASE VERIFY THOSE DIMENSIONS WITH YOUR SALESPERSON

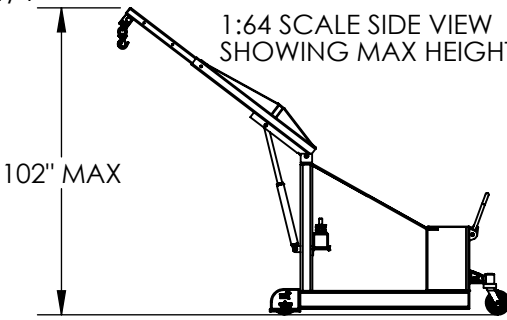


*WHEN BOOM IS FULLY RETRACTED AND THE CYLINDER IS FULLY RETRACTED HOOK HEIGHT IS 16 7/16"

*WHEN BOOM IS FULLY RETRACTED AND THE CYLINDER IS FULLY EXTENDED HOOK HEIGHT IS 74 7/16"

STANDARD FEATURES

- MODEL NUMBER IS CBFC-1000
- OVERALL WIDTH IS 29"
- OVERALL LENGTH IS 145 1/4" MAX
- OVERALL HEIGHT IS 102" MAX
- MAX CAPACITY IS 1000 LBS
- HAND PUMP OPERATION
- DURABLE LIQUID PAINT BLUE FINISH
- APPROX. SHIPPING WEIGHT: 1,845 LBS



SPECIAL FEATURES

NONE

DIMENSION TOLERANCE ± 1/4"

A P P R O V A L

I, THE UNDERSIGNED, AGREE THAT THE PRODUCT AS REPRESENTED SATISFIES DESIGN AND DIMENSION REQUIREMENTS. I ALSO ACKNOWLEDGE MY DUTY TO CONFIRM PRODUCT AND INSTALLATION COMPLIANCE WITH ALL APPLICABLE FEDERAL, STATE AND LOCAL REGULATIONS AND STANDARDS.

UNITS REQUIRING APPROVAL DRAWINGS OR MODIFIED ARE NON-RETURNABLE

[] As drawn [] As marked

Signed: _____ Date: _____

Printed Name: _____

LEAD TIME WILL START UPON RECEIPT OF SIGNED APPROVAL DRAWING

DISTRIBUTOR'S NAME:		P.O.#
VESTIL MANUFACTURING		X
DRAWN BY: X		W.O.#
DATE: XX/XX/XX		X
REFERENCE: X	SCALE: 1:34	SALES: X
QUOTED LEAD TIME: X	QUOTE # X	FILE NAME:
		16-007-369