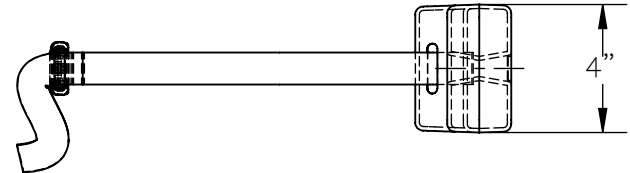
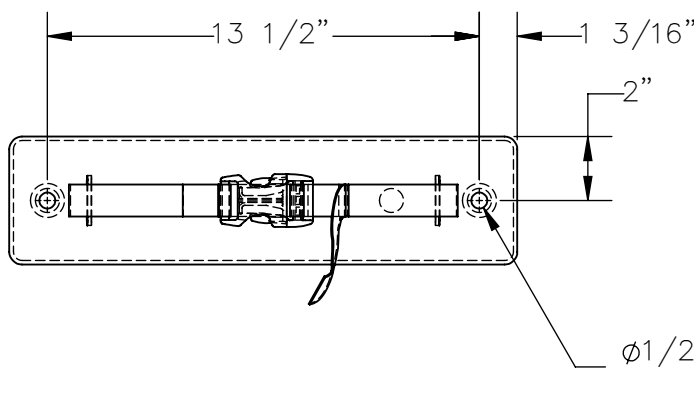
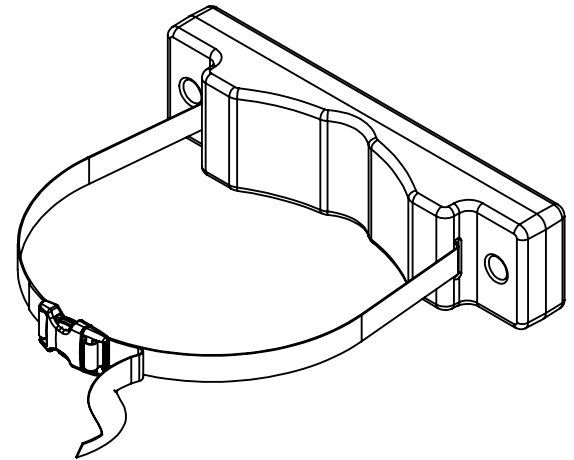
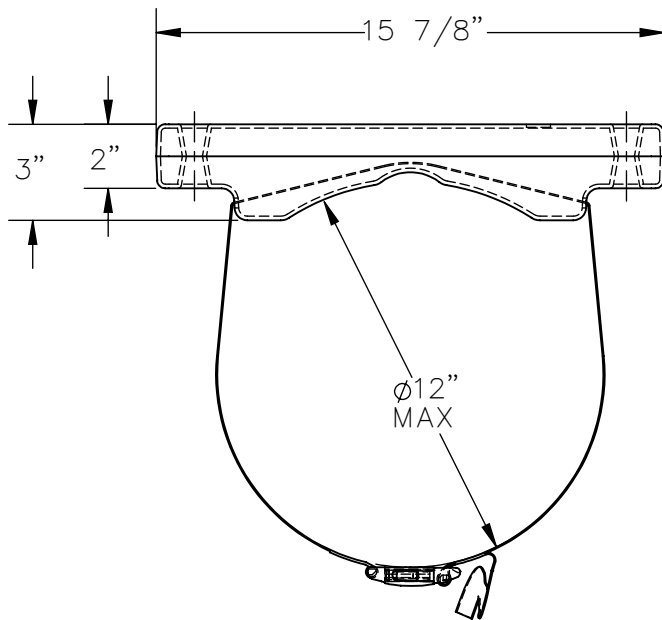


POLY WALL-MOUNTED CYLINDER BRACKET - CB-W-P

ANY ADDITIONS, DELETIONS, OR OMISSIONS MUST BE CORRECTED ON THIS DRAWING AS THIS DRAWING WILL BE CONSIDERED ALL INCLUSIVE

APPROX WEIGHT: 21.71 lbs.
DOES NOT INCLUDE WEIGHT OF POWER OR PACKAGING!!!



ALL GRAPHICS PROVIDED ARE FOR REFERENCE ONLY. IF CERTAIN DIMENSIONS ARE CRITICAL PLEASE VERIFY THOSE DIMENSIONS WITH YOUR SALESPERSON DIMENSION TOLERANCE ± 1/4"

STANDARD FEATURES

- MODEL NUMBER IS: CB-W-P
- CAPACITY IS: 1 CYLINDER
- MAX CYLINDER DIAMETER IS: 12"
- OVERALL WIDTH IS: 15 7/8"
- OVERALL HEIGHT IS: 4"
- OVERALL DEPTH IS: 3"
- MOUNTING HOLE DIAMETER IS: 1/2"
- MOUNTING HOLE CENTERS IS: 13 1/2"
- COLOR IS SAFETY YELLOW

MOUNTING HARDWARE NOT INCLUDED

SPECIAL FEATURES

NONE

A P P R O V A L	I, THE UNDERSIGNED, AGREE THAT THE PRODUCT AS REPRESENTED SATISFIES DESIGN AND DIMENSION REQUIREMENTS. I ALSO ACKNOWLEDGE MY DUTY TO CONFIRM PRODUCT AND INSTALLATION COMPLIANCE WITH ALL APPLICABLE FEDERAL, STATE AND LOCAL REGULATIONS AND STANDARDS.	
	UNITS REQUIRING APPROVAL DRAWINGS OR MODIFIED ARE NON-RETURNABLE	
	[] As drawn [] As marked	
Signed: _____ Date: _____		
Printed Name: _____		
LEAD TIME WILL START UPON RECEIPT OF SIGNED APPROVAL DRAWING		

DISTRIBUTOR'S NAME:		P.O.#
VESTIL MANUFACTURING		X
DRAWN BY: JGP		W.O.#
DATE: 6/23/2021		X
REFERENCE: X		SALES: X
SCALE: 1:6		FILE NAME:
QUOTED LEAD TIME: X		16-007-532
QUOTE #		X