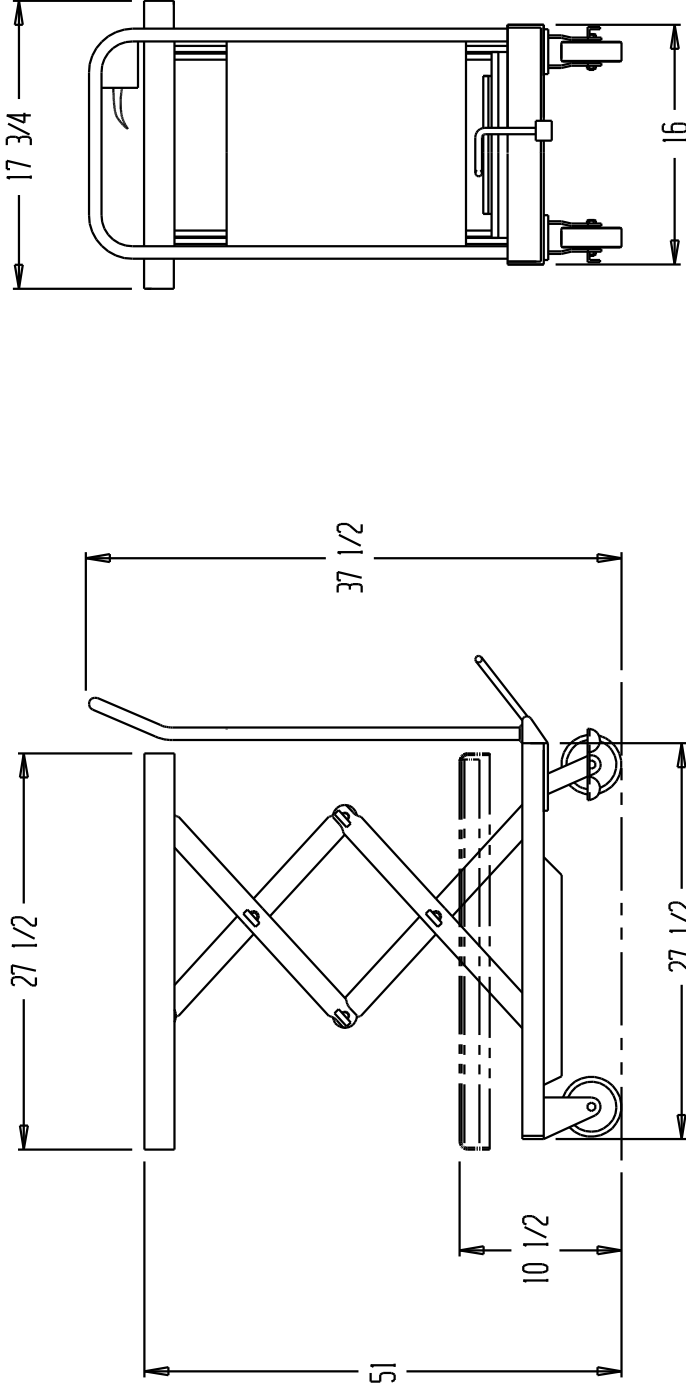


HYDRAULIC ELEVATING CART, CART-200-D



STANDARD FEATURES

- MODEL NUMBER: CART-200-D
- CAPACITY: 220 LBS.
- PLATFORM: 17 3/4" x 27 1/2"
- PLATFORM RAISED HEIGHT: 51"
- PLATFORM LOWERED HEIGHT: 10 1/2"
- STANDARD SINGLE SPEED FOOT PUMP
- RAISES APPROX. 3" PER PUMP (NOT LOADED)

SPECIAL FEATURES

NONE

I, THE UNDERSIGNED, AGREE THAT THE PRODUCT AS REPRESENTED SATISFIES DESIGN & DIMENSION REQUIREMENTS. I ALSO ACKNOWLEDGE MY DUTY TO CONFIRM PRODUCT & INSTALLATION COMPLIANCE WITH ALL APPLICABLE FEDERAL, STATE AND LOCAL REGULATIONS & STANDARDS.
ALL SPECIAL UNITS ARE NON-RETURNABLE
 As drawn As marked
 Signed: _____ Date: _____
 LEAD TIME WILL START UPON RECEIPT OF SIGNED APPROVAL DRAWING

DISTRIBUTOR'S NAME:

VESTIL MFG

P.O.#: -

V.O.#: -

SALES: -

DATE: -

SCALE: N/A

DRWG./FILE NAME:

CART-200-D

QUOTED LEADTIME: -

** Any additions, deletions or omissions must be corrected on this drawing, as this drawing will be considered all inclusive. **
 ** All graphics provided are for reference only. If certain dimensions are critical please verify those dimensions with your salesperson. **