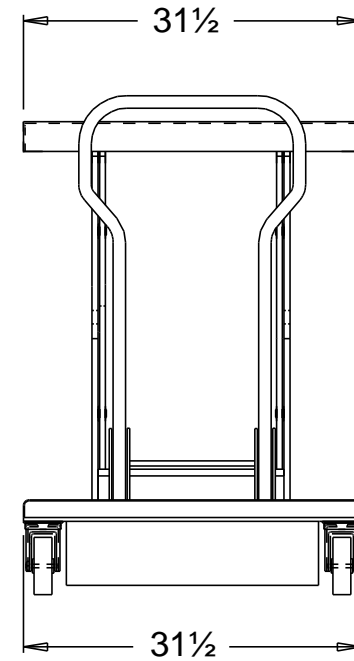
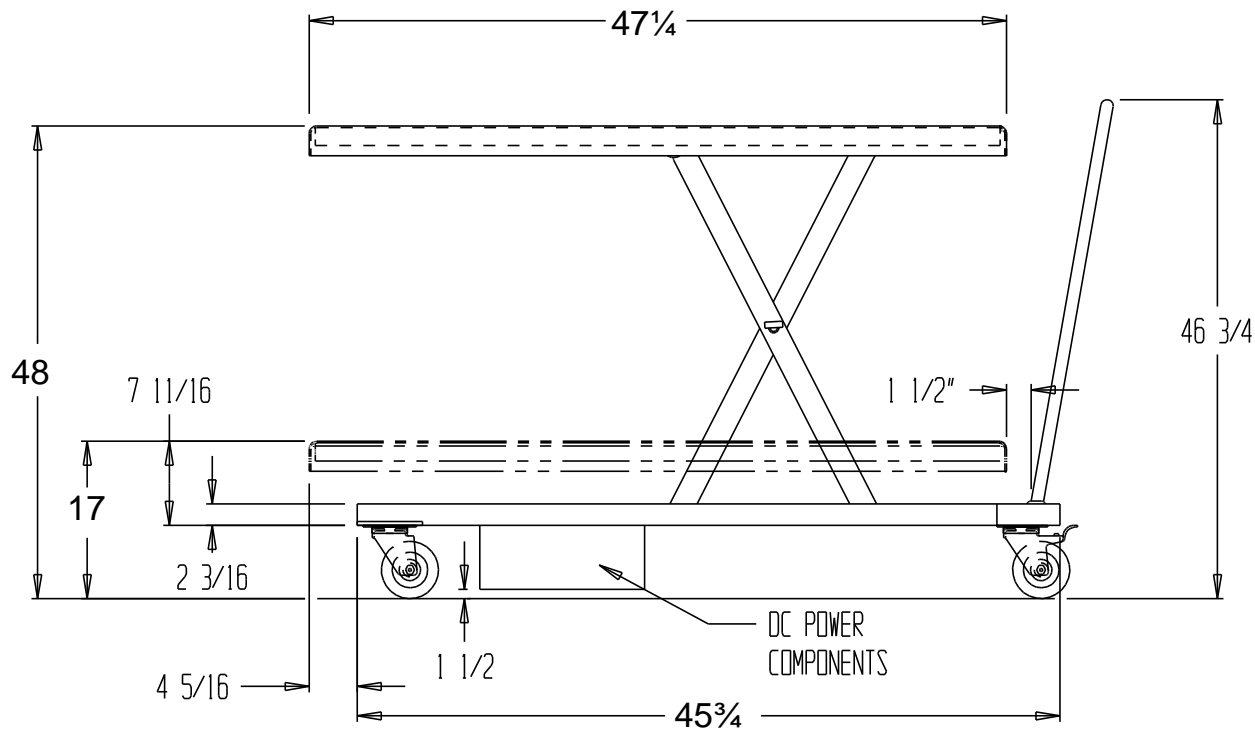


WIDE DECK HYDRAULIC ELEVATING CART CART-1000-WD-DC



STANDARD FEATURES

MODEL NUMBER: CART-1000-WD-DC
 CAPACITY: 1,000 LBS.
 PLATFORM WIDTH: 31 1/2"
 PLATFORM LENGTH: 47 1/4"
 RAISED HEIGHT: 48"
 LOWERED HEIGHT: 17"
 APPROX. OVERALL FRAME WIDTH: 31 1/2"
 APPROX. OVERALL FRAME LENGTH: 45 3/4"
 12V DC POWERED
 INCLUDES HAND CONTROL & ON-BOARD BATTERY CHARGER

SPECIAL FEATURES

NONE

Deck tolerances +/- 1/2"
 Table height tolerances +/- 1/2"

APPROVAL	I, THE UNDERSIGNED, AGREE THAT THE PRODUCT AS REPRESENTED SATISFIES DESIGN & DIMENSION REQUIREMENTS. I ALSO ACKNOWLEDGE MY DUTY TO CONFIRM PRODUCT & INSTALLATION COMPLIANCE WITH ALL APPLICABLE FEDERAL, STATE AND LOCAL REGULATIONS & STANDARDS.
	ALL SPECIAL UNITS ARE NON-RETURNABLE () As drawn () As marked
	Signed: _____ Date: _____
	LEAD TIME WILL START UPON RECEIPT OF SIGNED APPROVAL DRAWING

Any additions, deletions or omissions must be corrected on this drawing, as this drawing will be considered all inclusive.

All graphics provided are for reference only. If certain dimensions are critical please verify those dimensions with your salesperson

DISTRIBUTOR'S NAME: VESTIL MFG		P.O.#: _
DRAWN BY: _____		W.O.#: _
DATE: _	SCALE: N/A	SALES: _
REFERENCE: _	QUOTED LEADTIME: _	DRWG./FILE NAME: CART-1000-WD-DC
QUOTE #: _		