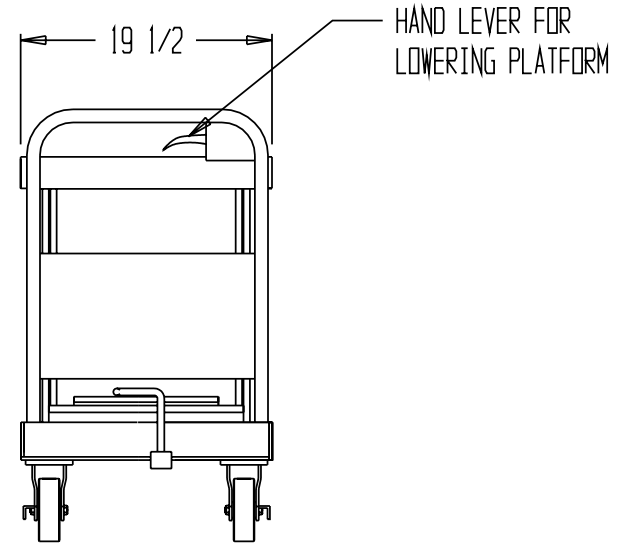
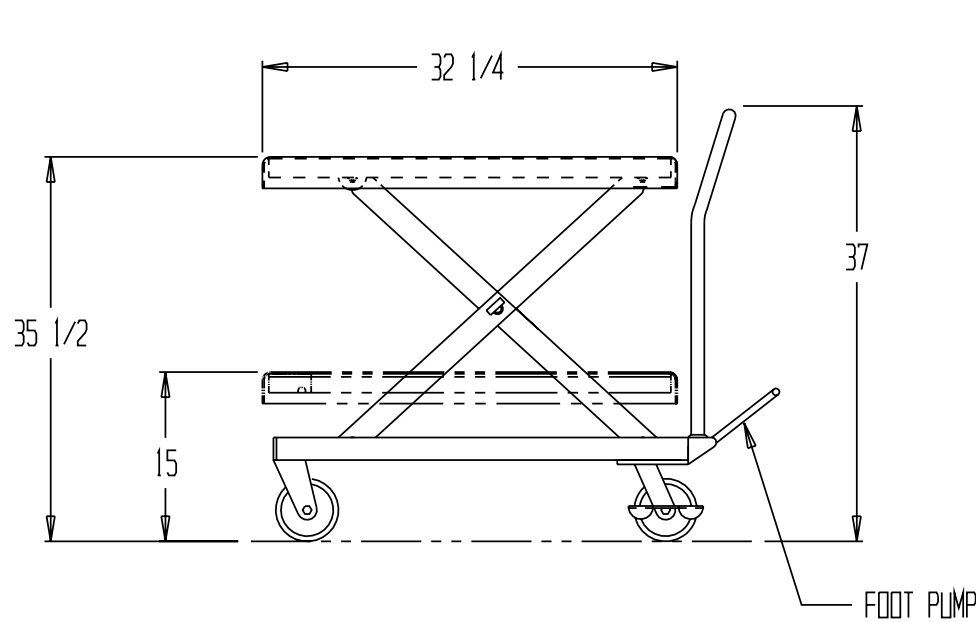


**SPECIAL UNITS ARE NON-RETURNABLE
 *AVAILABLE AT ADDITIONAL COSTS

STAINLESS STEEL HYDRAULIC ELEVATING CART, CART-1000-PSS



STANDARD FEATURES

- MODEL NUMBER: CART-1000-PSS
- CAPACITY: 1,000 LBS.
- PLATFORM: 19 1/2" x 32 1/4"
- PLATFORM RAISED HEIGHT: 35 1/2"
- PLATFORM LOWERED HEIGHT: 15"
- STANDARD SINGLE SPEED FOOT PUMP

NOTE: SCISSOR LEGS, CASTERS, CASTER GUARDS, & PUMP ASSEMBLY ARE NOT STAINLESS STEEL.
 SCISSOR LEGS & WHEEL GUARDS ARE PAINTED CARBON STEEL.
 HANDLE IS CHROMED STEEL.

Any additions, deletions or omissions must be corrected on this drawing, as this drawing will be considered all inclusive.

SPECIAL FEATURES

NONE

*** ALL GRAPHICS PROVIDED ARE FOR REFERENCE ONLY.
 IF CERTAIN DIMENSIONS ARE CRITICAL PLEASE VERIFY
 THOSE DIMENSIONS WITH YOUR SALESPERSON. ***

LEAD TIME WILL START UPON
 RECEIPT OF SIGNED APPROVAL
 DRAWING

APPROVAL

I, the undersigned, hereby approve this print
 As drawn As marked
 This includes my approval of design & dimensions.
 Signed: _____
 Date: _____

DISTRIBUTOR'S NAME:		P.O.#: -
VESTIL MANUFACTURING		W.O.#: -
DRAWN BY: SR	DATE: 4-20-06	SALES: -
REFERENCE:	DRWG./FILE NAME:	
-	SCALE: NTS	CART-1000-PSS