

BATTERY TRANSFER PLATFORM - BTC-PJ

APPROX WEIGHT: 288.52 lbs.
 DOES NOT INCLUDE WEIGHT OF POWER OR PACKAGING!!!

*** ANY ADDITIONS, DELETIONS, OR OMISSIONS MUST BE CORRECTED ON THIS DRAWING AS THIS DRAWING WILL BE CONSIDERED ALL INCLUSIVE ***

ALL GRAPHICS PROVIDED ARE FOR REFERENCE ONLY. IF CERTAIN DIMENSIONS ARE CRITICAL PLEASE VERIFY THOSE DIMENSIONS WITH YOUR SALESPERSON

APPROX. WEIGHT / LOST LOAD = 288.52

MINIMUM EFFECTIVE THICKNESS = FORK LENGTH - 40 15/16"

NEVER EXCEED LOAD CENTER

RATING PER FORKTRUCK

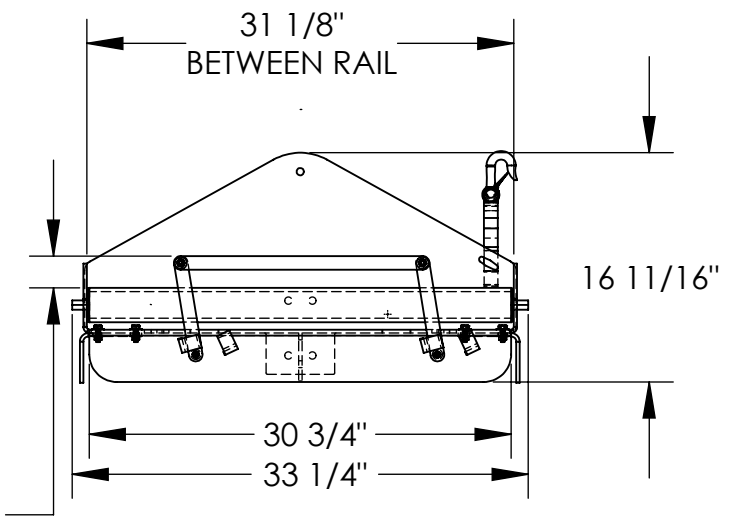
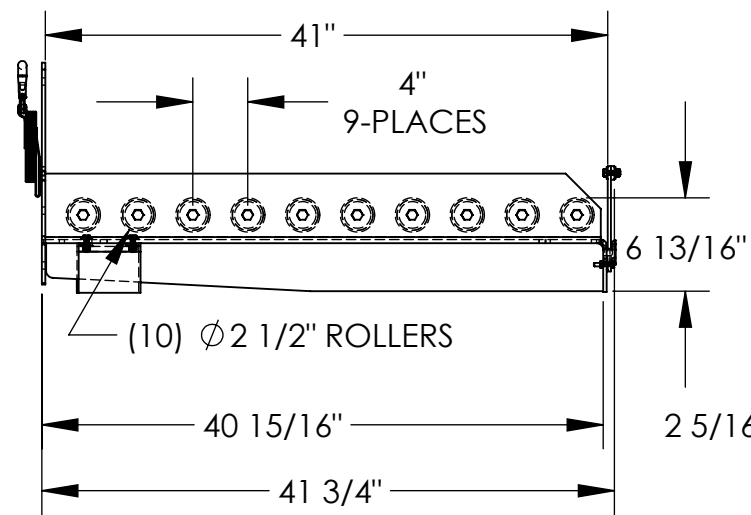
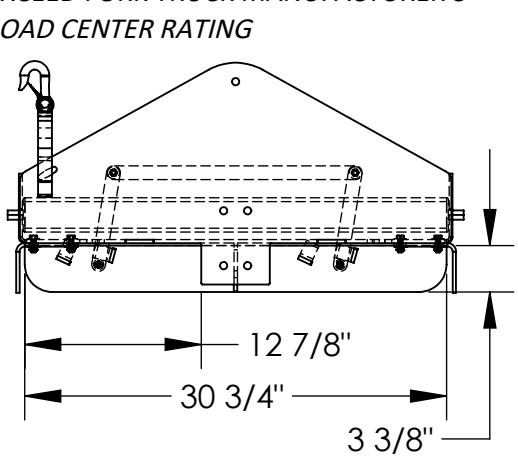
MANUFACTURERS GUIDELINES.

DO NOT USE THIS FORK TRUCK

ATTACHMENT IF LOAD WILL

EXCEED FORK TRUCK MANUFACTURER'S

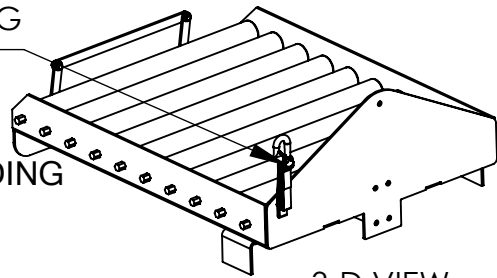
LOAD CENTER RATING



STANDARD FEATURES

- MODEL NUMBER: BTC-PJ
- CAPACITY: 4,000 LBS
- USABLE WIDTH: 31 1/8"
- USABLE LENGTH: 41"
- OVERALL WIDTH: 33 1/4"
- OVERALL LENGTH: 41 3/4"
- OVERALL HEIGHT: 16 11/16"
- FLOOR TO TOP OF ROLLERS (EXCLUDING PALLET TRUCK): 6 13/16" (+/- 1/8")
- NUMBER OF ROLLERS: 10
- FORK OPENING WIDTH 12 7/8"
- FORK OPENING HEIGHT 3 3/8"
- DESIGNED TO ACCOMODATE MOST PALLET TRUCK
- TOUGH BAKED IN POWDER COAT YELLOW FINSH

FORK TRUCK
 RESTRAINING
 STRAP



3-D VIEW
 FOR REFERENCE

SPECIAL FEATURES

NONE

DIMENSION TOLERANCE ± 1/4"

APPROVAL

I, THE UNDERSIGNED, AGREE THAT THE PRODUCT AS REPRESENTED SATISFIES DESIGN AND DIMENSION REQUIREMENTS. I ALSO ACKNOWLEDGE MY DUTY TO CONFIRM PRODUCT AND INSTALLATION COMPLIANCE WITH ALL APPLICABLE FEDERAL, STATE AND LOCAL REGULATIONS AND STANDARDS.

ANY MODIFIED UNITS ARE NON-RETURNABLE

[] As drawn [] As marked

Signed: _____ Date: _____

Printed Name: _____

LEAD TIME WILL START UPON RECEIPT OF SIGNED APPROVAL DRAWING

FOR INTERNAL USE ONLY PROJECT SIGN OFF	
SALES	
ENG.	
FAB.	
POWER	

DISTRIBUTOR'S NAME:		P.O.#
VESTIL MANUFACTURING		X
DRAWN BY: B.HORN		W.O.#
DATE: 08/12/2014		X
REFERENCE: X	SCALE: 1:14	SALES: X
QUOTED LEAD TIME: X	QUOTE #	FILE NAME:
	X	33-007-158