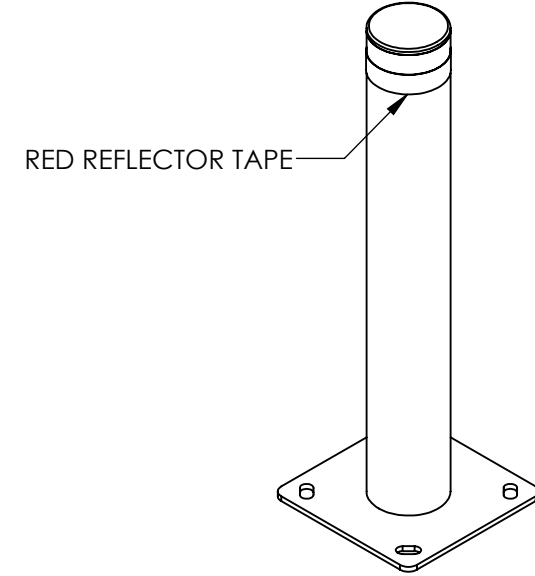
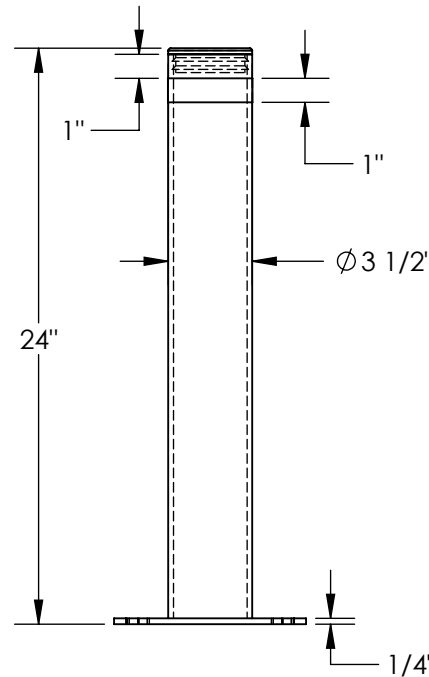


GARAGE BOLLARD - BOL-G-24-3.5

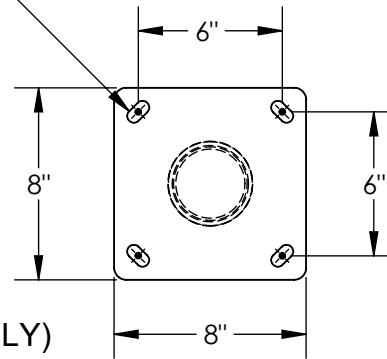
APPROX WEIGHT: 21.41 lbs.
 DOES NOT INCLUDE WEIGHT OF POWER OR PACKAGING!!!

*** ANY ADDITIONS, DELETIONS, OR OMISSIONS MUST BE CORRECTED ON THIS DRAWING AS THIS DRAWING WILL BE CONSIDERED ALL INCLUSIVE ***

ALL GRAPHICS PROVIDED ARE FOR REFERENCE ONLY. IF CERTAIN DIMENSIONS ARE CRITICAL PLEASE VERIFY THOSE DIMENSIONS WITH YOUR SALESPERSON



$\frac{9}{16}$ " X $1 \frac{1}{16}$ "
 4-PLACES



DIMENSION TOLERANCE $\pm \frac{1}{4}$ "

APPROVAL

I, THE UNDERSIGNED, AGREE THAT THE PRODUCT AS REPRESENTED SATISFIES DESIGN AND DIMENSION REQUIREMENTS. I ALSO ACKNOWLEDGE MY DUTY TO CONFIRM PRODUCT AND INSTALLATION COMPLIANCE WITH ALL APPLICABLE FEDERAL, STATE AND LOCAL REGULATIONS AND STANDARDS.
UNITS REQUIRING APPROVAL DRAWINGS OR MODIFIED ARE NON-RETURNABLE
 As drawn As marked

Signed: _____ Date: _____

Printed Name: _____

LEAD TIME WILL START UPON RECEIPT OF SIGNED APPROVAL DRAWING

DISTRIBUTOR'S NAME:		P.O.#
VESTIL MANUFACTURING		X
DRAWN BY: JWW		W.O.#
DATE: 3/3/2020		X
REFERENCE: X	SCALE: 1:8	SALES: X
QUOTED LEAD TIME: X	QUOTE #	FILE NAME:
	X	23-007-740

STANDARD FEATURES

- MODEL NUMBER IS BOL-G-24-3.5
- OVERALL WIDTH IS 8"
- OVERALL LENGTH IS 8"
- OVERALL HEIGHT IS 24"
- PIPE IS 3" SCH 40
- PIPE O.D. IS $\phi 3 \frac{1}{2}$ "
- LAG DOWN MOUNTING PLATE IS 8" x 8" x $\frac{1}{4}$ " WITH MOUNTING SLOTS $\frac{9}{16}$ " x $1 \frac{1}{16}$ " FOR $\frac{1}{2}$ " DIA. ANCHOR BOLTS (SOLD SEPARATELY)
- 1" WIDE RED REFLECTIVE TAPE
- TOUGH BAKED IN POWDER COATED BLACK FINISH
- ALL STEEL CONSTRUCTION (ASTM A-36 MIN.) WITH WELDING TO MEET AWS
- WARNING: CHECK APPLICABLE STATE & LOCAL LAWS FOR YOUR AREA.

SPECIAL FEATURES

NONE