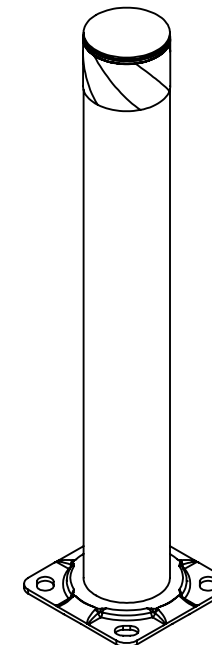
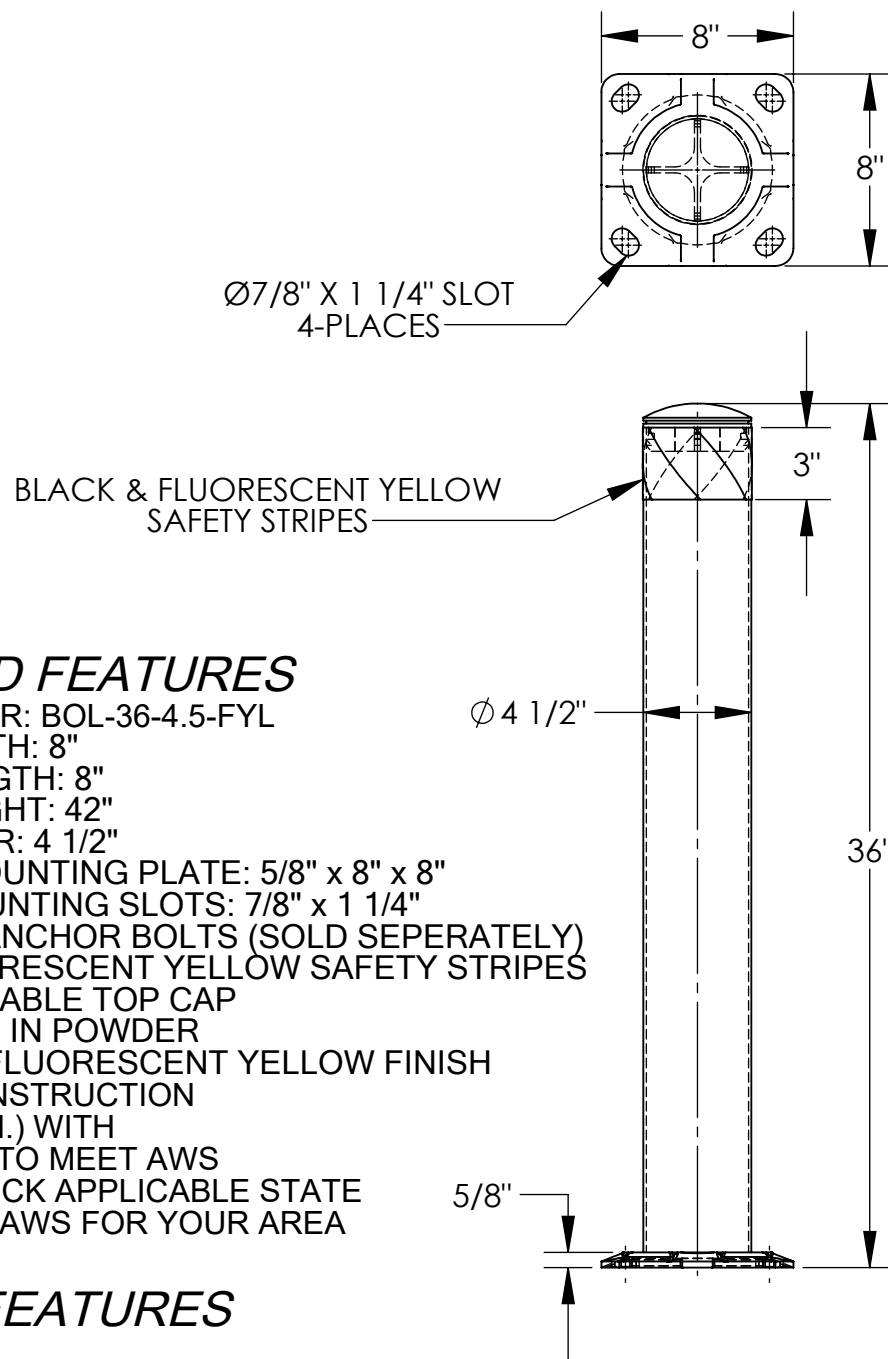


STEEL PIPE SAFETY BOLLARD - BOL-36-4.5-FYL

APPROX WEIGHT: 21.58 lbs.
DOES NOT INCLUDE WEIGHT OF POWER OR PACKAGING!!!

*** ANY ADDITIONS, DELETIONS, OR OMISSIONS MUST BE CORRECTED ON THIS DRAWING AS THIS DRAWING WILL BE CONSIDERED ALL INCLUSIVE ***
ALL GRAPHICS PROVIDED ARE FOR REFERENCE ONLY. IF CERTAIN DIMENSIONS ARE CRITICAL PLEASE VERIFY THOSE DIMENSIONS WITH YOUR SALESPERSON



STANDARD FEATURES

- MODEL NUMBER: BOL-36-4.5-FYL
- OVERALL WIDTH: 8"
- OVERALL LENGTH: 8"
- OVERALL HEIGHT: 42"
- PIPE DIAMETER: 4 1/2"
- LAG DOWN MOUNTING PLATE: 5/8" x 8" x 8"
- WITH MOUNTING SLOTS: 7/8" x 1 1/4"
- FOR 3/4" DIA. ANCHOR BOLTS (SOLD SEPERATELY)
- BLACK & FLUORESCENT YELLOW SAFETY STRIPES
- BLACK REMOVABLE TOP CAP
- TOUGH BAKED IN POWDER
- COATED FLUORESCENT YELLOW FINISH
- ALL STEEL CONSTRUCTION
- (ASTM A-36 MIN.) WITH
- WELDING TO MEET AWS
- WARNING: CHECK APPLICABLE STATE & LOCAL LAWS FOR YOUR AREA

SPECIAL FEATURES

NONE

FOR INTERNAL USE ONLY PROJECT SIGN OFF	
SALES	
ENG.	
FAB.	
POWER	

DIMENSION TOLERANCE $\pm 1/4$ "

APPROVAL

I, THE UNDERSIGNED, AGREE THAT THE PRODUCT AS REPRESENTED SATISFIES DESIGN AND DIMENSION REQUIREMENTS. I ALSO ACKNOWLEDGE MY DUTY TO CONFIRM PRODUCT AND INSTALLATION COMPLIANCE WITH ALL APPLICABLE FEDERAL, STATE AND LOCAL REGULATIONS AND STANDARDS.
UNITS REQUIRING APPROVAL DRAWINGS OR MODIFIED ARE NON-RETURNABLE
[] As drawn [] As marked

Signed: _____ Date: _____

Printed Name: _____

LEAD TIME WILL START UPON RECEIPT OF SIGNED APPROVAL DRAWING

DISTRIBUTOR'S NAME:		P.O.#
VESTIL MANUFACTURING		X
DRAWN BY: JGP		W.O.#
DATE: 10/14/2020		X
REFERENCE: X	SCALE: 1:8	SALES: X
QUOTED LEAD TIME: X	QUOTE #	FILE NAME:
	X	23-007-008-002