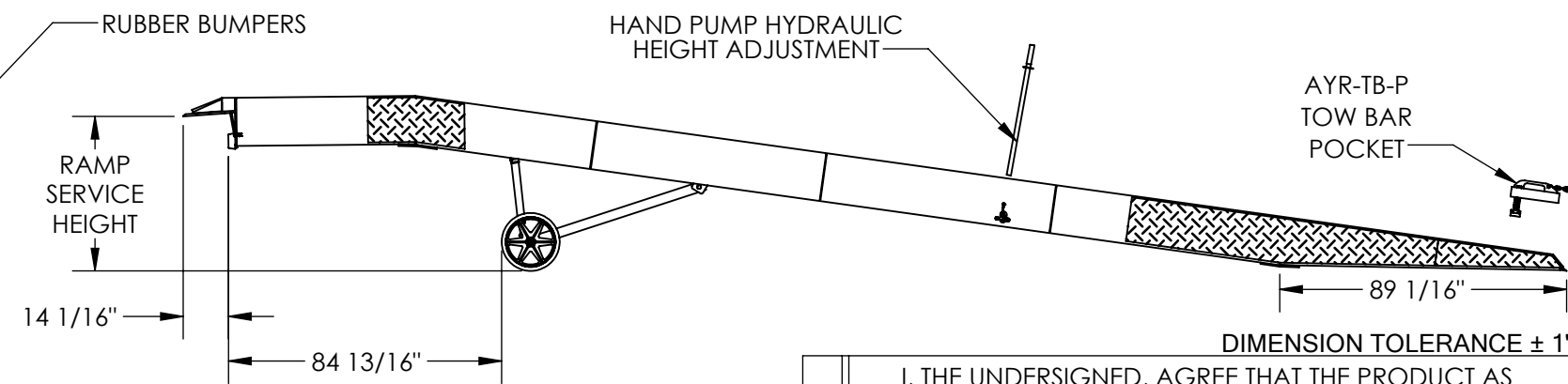
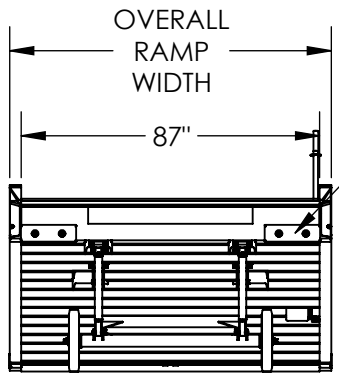
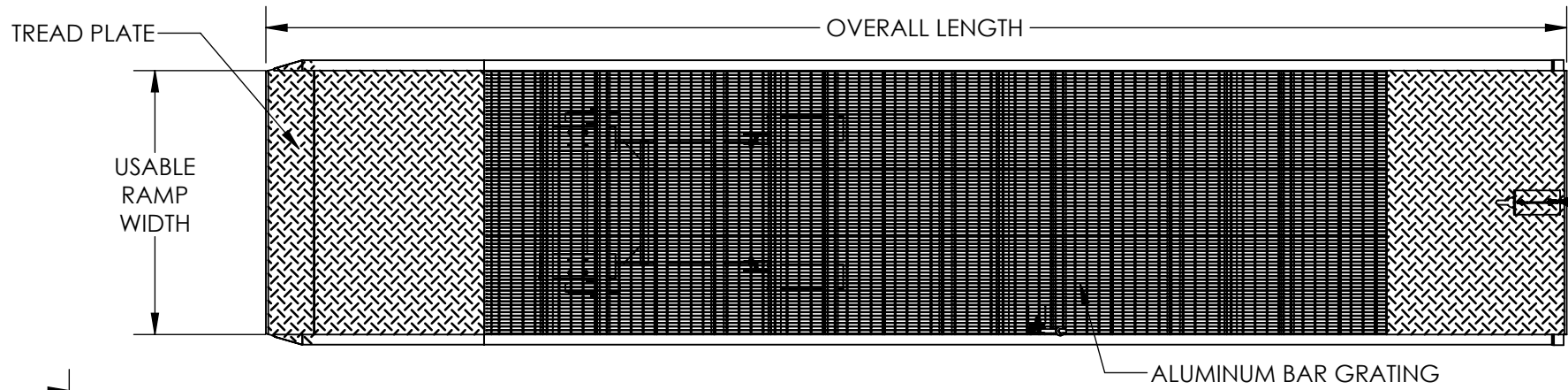


YARD RAMP - AY-169336-L

APPROX WEIGHT: 3656.44 lbs.
DOES NOT INCLUDE WEIGHT OF POWER OR PACKAGING!!!

*** ANY ADDITIONS, DELETIONS, OR OMISSIONS MUST BE CORRECTED ON THIS DRAWING AS THIS DRAWING WILL BE CONSIDERED ALL INCLUSIVE ***

ALL GRAPHICS PROVIDED ARE FOR REFERENCE ONLY. IF CERTAIN DIMENSIONS ARE CRITICAL PLEASE VERIFY THOSE DIMENSIONS WITH YOUR SALESPERSON



DIMENSION TOLERANCE ± 1"

STANDARD FEATURES

- MODEL NUMBER IS AY-169336-L
- OVERALL RAMP WIDTH IS 95 INCHES
- USABLE RAMP WIDTH IS 87 INCHES
- OVERALL RAMP LENGTH IS 36 FEET
- RAMP SERVICE HEIGHT IS 45 INCHES TO 62 INCHES
- RAMP CAPACITY IS 16,000 LBS.
- 4" HIGH SAFETY CURBS WITH SLOPED ENDS
- SAFETY CHAIN STANDARD (NOT SHOWN)
- 13 1/2" USABLE LIP SUPPORT EDGE
- 18" MOLDED-ON-RUBBER WHEELS
- AYR-TB-P TOW BAR POCKET
- ALUMINUM CONSTRUCTION

SPECIAL FEATURES

NONE

APPROVAL

I, THE UNDERSIGNED, AGREE THAT THE PRODUCT AS REPRESENTED SATISFIES DESIGN AND DIMENSION REQUIREMENTS. I ALSO ACKNOWLEDGE MY DUTY TO CONFIRM PRODUCT AND INSTALLATION COMPLIANCE WITH ALL APPLICABLE FEDERAL, STATE AND LOCAL REGULATIONS AND STANDARDS.

UNITS REQUIRING APPROVAL DRAWINGS OR MODIFIED ARE NON-RETURNABLE

As drawn As marked

Signed: _____ Date: _____

Printed Name: _____

LEAD TIME WILL START UPON RECEIPT OF SIGNED APPROVAL DRAWING

DISTRIBUTOR'S NAME:		P.O.#
VESTIL MANUFACTURING		X
DRAWN BY: CRH		W.O.#
DATE: 08/09/2018		X
REFERENCE: X	SCALE: 1:56	SALES: X
QUOTED LEAD TIME: X	QUOTE # X	FILE NAME:
		18-007-227