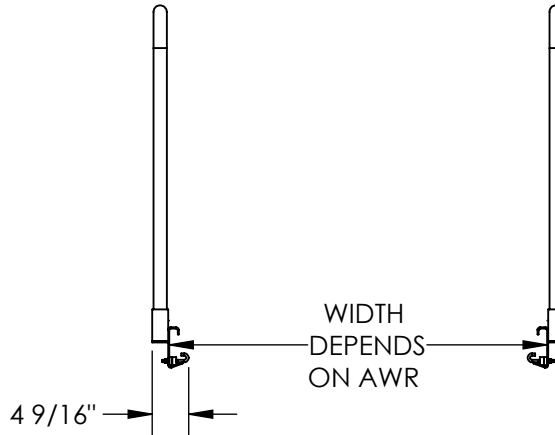
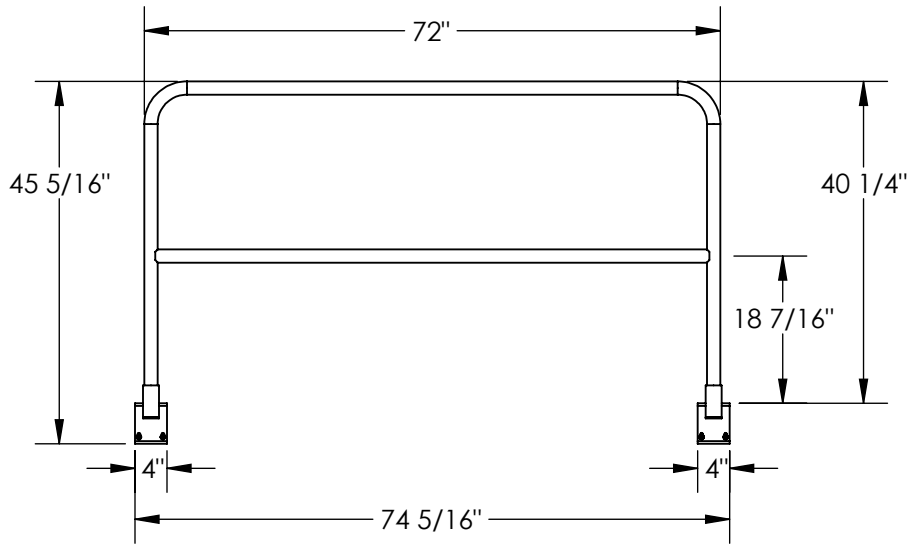


HANDRAIL KIT-RETRO FIT FOR AWR - AWR-HR-8-RF

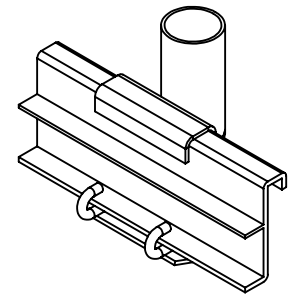
APPROX WEIGHT: 41.48 lbs.
 DOES NOT INCLUDE WEIGHT OF POWER OR PACKAGING!!!

*** ANY ADDITIONS, DELETIONS, OR OMISSIONS MUST BE CORRECTED ON THIS DRAWING AS THIS DRAWING WILL BE CONSIDERED ALL INCLUSIVE ***

ALL GRAPHICS PROVIDED ARE FOR REFERENCE ONLY. IF CERTAIN DIMENSIONS ARE CRITICAL PLEASE VERIFY THOSE DIMENSIONS WITH YOUR SALESPERSON



AWR IS NOT INCLUDED.
 SIDE CURB IS FOR REFERENCE ONLY



J-BOLTS LOCK
 AROUND AWR RAIL

STANDARD FEATURES

- MODEL NUMBER IS AWR-HR-8-RF
- WIDTH DEPENDS ON THE AWR
- OVERALL LENGTH IS 74 5/16"
- USABLE LENGTH IS 72"
- OVERALL HEIGHT IS 40 1/4"
- USABLE HEIGHT IS 72"
- HANDRAIL KIT INCLUDES:
 - (2) ADKR-6 HANDRAILS
 - (4) MOUNTING BRACKETS AND HARDWARE
- MAX WIDTH OF INDIVIDUAL HANDRAIL INCLUDING BRACKET IS 4 9/16"

HANDRAIL KIT IS COMPATIBLE WITH THE FOLLOWING ALUMINUM WALK RAMP

| | |
|-------------|-------------|
| AWR-28-8A | AWR-38-8A |
| AWR-28-8B | AWR-38-8B |
| AWR-G-28-8A | AWR-G-38-8A |

SPECIAL FEATURES

NONE

DIMENSION TOLERANCE ± 1/4"

| | | |
|---|--|-------------|
| APPROVAL | I, THE UNDERSIGNED, AGREE THAT THE PRODUCT AS REPRESENTED SATISFIES DESIGN AND DIMENSION REQUIREMENTS. I ALSO ACKNOWLEDGE MY DUTY TO CONFIRM PRODUCT AND INSTALLATION COMPLIANCE WITH ALL APPLICABLE FEDERAL, STATE AND LOCAL REGULATIONS AND STANDARDS. | |
| | ANY MODIFIED UNITS ARE NON-RETURNABLE | |
| | [] As drawn [] As marked | |
| | Signed: _____ | Date: _____ |
| Printed Name: _____ | | |
| LEAD TIME WILL START UPON RECEIPT OF SIGNED APPROVAL DRAWING | | |

| | |
|---|--|
| FOR INTERNAL USE ONLY PROJECT SIGN OFF | |
| SALES | |
| ENG. | |
| FAB. | |
| POWER | |

| | | |
|-----------------------------|-------------|------------|
| DISTRIBUTOR'S NAME: | | P.O.# |
| VESTIL MANUFACTURING | | X |
| DRAWN BY: TAW | | W.O.# |
| DATE: 8/17/2016 | | X |
| REFERENCE: X | SCALE: 1:24 | SALES: X |
| QUOTED LEAD TIME: X | QUOTE # | FILE NAME: |
| | X | 18-007-313 |