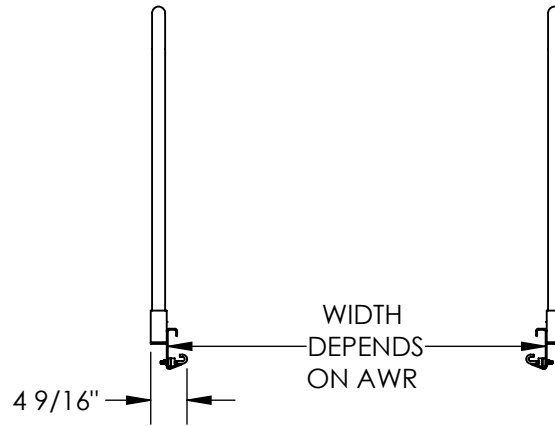
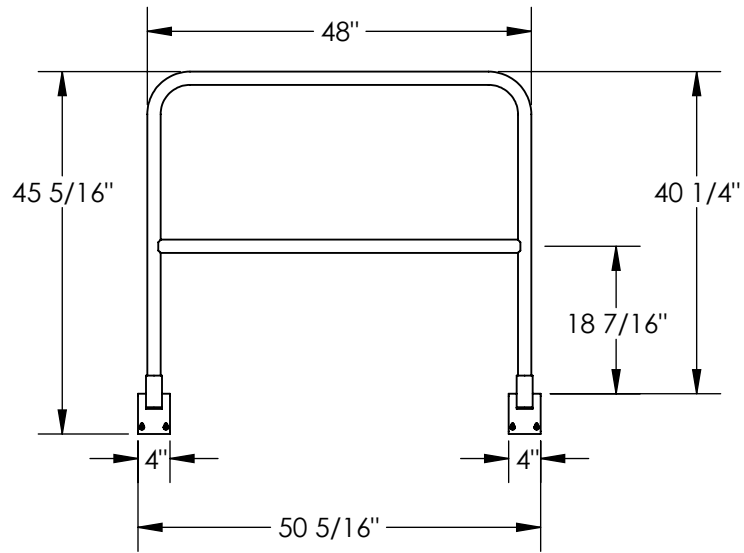


HANDRAIL KIT-RETRO FIT FOR AWR - AWR-HR-6-RF

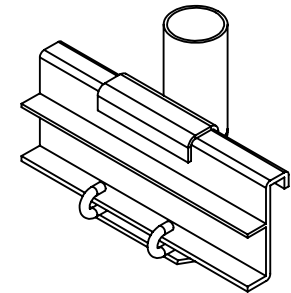
APPROX WEIGHT: 35.22 lbs.
DOES NOT INCLUDE WEIGHT OF POWER OR PACKAGING!!!

*** ANY ADDITIONS, DELETIONS, OR OMISSIONS MUST BE CORRECTED ON THIS DRAWING AS THIS DRAWING WILL BE CONSIDERED ALL INCLUSIVE ***

ALL GRAPHICS PROVIDED ARE FOR REFERENCE ONLY. IF CERTAIN DIMENSIONS ARE CRITICAL PLEASE VERIFY THOSE DIMENSIONS WITH YOUR SALESPERSON



AWR IS NOT INCLUDED.
SIDE CURB IS FOR REFERENCE ONLY



J-BOLTS LOCK
AROUND AWR RAIL

HANDRAIL KIT IS COMPATABLE WITH THE FOLLOWING ALUMINUM WALK RAMPS

AWR-28-6A	AWR-38-6A
AWR-28-6B	AWR-38-6B
AWR-G-28-6A	AWR-G-38-6A

STANDARD FEATURES

MODEL NUMBER IS AWR-HR-6-RF
WIDTH DEPENDS ON THE AWR
OVERALL LENGTH IS 50 5/16"
USABLE LENGTH IS 48"
OVERALL HEIGHT IS 45 5/16"
USABLE HEIGHT IS 40 1/4"
HANDRAIL KIT INCLUDES:
(2) ADKR-4 HANDRAILS
(4) MOUNTING BRACKETS AND HARDWARE
MAX WIDTH OF INDIVIDUAL HANDRAIL INCLUDING BRACKET IS 4 9/16"

SPECIAL FEATURES

NONE

DIMENSION TOLERANCE ± 1/4"

APPROVAL	I, THE UNDERSIGNED, AGREE THAT THE PRODUCT AS REPRESENTED SATISFIES DESIGN AND DIMENSION REQUIREMENTS. I ALSO ACKNOWLEDGE MY DUTY TO CONFIRM PRODUCT AND INSTALLATION COMPLIANCE WITH ALL APPLICABLE FEDERAL, STATE AND LOCAL REGULATIONS AND STANDARDS.	
	ANY MODIFIED UNITS ARE NON-RETURNABLE	
	[] As drawn [] As marked	
	Signed: _____ Date: _____	
Printed Name: _____		
<i>LEAD TIME WILL START UPON RECEIPT OF SIGNED APPROVAL DRAWING</i>		

FOR INTERNAL USE ONLY PROJECT SIGN OFF	
SALES	
ENG.	
FAB.	
POWER	

DISTRIBUTOR'S NAME:		P.O.#
VESTIL MANUFACTURING		X
DRAWN BY: TAW		W.O.#
DATE: 8/17/2016		X
REFERENCE: X	SCALE: 1:24	SALES: X
QUOTED LEAD TIME: X	QUOTE # X	FILE NAME:
		18-007-311