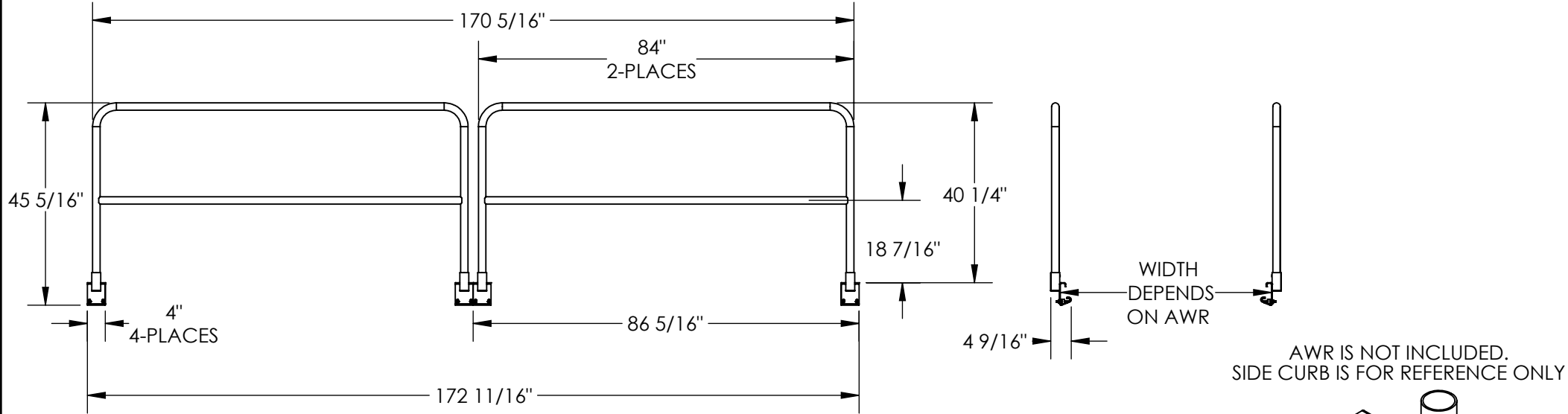


# HANDRAIL KIT-RETRO FIT FOR AWR - AWR-HR-16-RF

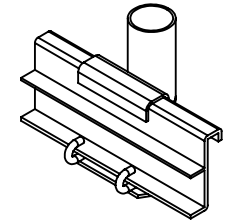
APPROX WEIGHT: 89.23 lbs.  
 DOES NOT INCLUDE WEIGHT OF POWER OR PACKAGING!!!

\*\*\* ANY ADDITIONS, DELETIONS, OR OMISSIONS MUST BE CORRECTED ON THIS DRAWING AS THIS DRAWING WILL BE CONSIDERED ALL INCLUSIVE \*\*\*

ALL GRAPHICS PROVIDED ARE FOR REFERENCE ONLY. IF CERTAIN DIMENSIONS ARE CRITICAL PLEASE VERIFY THOSE DIMENSIONS WITH YOUR SALESPERSON



AWR IS NOT INCLUDED.  
 SIDE CURB IS FOR REFERENCE ONLY



J-BOLTS LOCK  
 AROUND AWR RAIL

## STANDARD FEATURES

- MODEL NUMBER IS AWR-HR-16-RF
- WIDTH DEPENDS ON THE AWR
- OVERALL LENGTH IS 172 11/16"
- USABLE LENGTH IS 170 5/16"
- OVERALL HEIGHT IS 45 5/16"
- USABLE HEIGHT IS 40 1/4"
- HANDRAIL KIT INCLUDES:
  - (4) ADKR-7 HANDRAILS
  - (8) MOUNTING BRACKETS AND HARDWARE
- MAX WIDTH OF INDIVIDUAL HANDRAIL INCLUDING BRACKET IS 4 9/16"

HANDRAIL KIT IS COMPATABLE WITH THE FOLLOWING ALUMINUM WALK RAMPS	
AWR-28-16A	AWR-38-16A
AWR-28-16B	AWR-38-16B
AWR-G-28-16A	AWR-G-38-16A
AWR-28-16A-WH	AWR-38-16A-WH
AWR-28-16B-WH	AWR-38-16B-WH
AWR-G-28-16A-WH	AWR-G-38-16A-WH

## SPECIAL FEATURES

NONE

DIMENSION TOLERANCE ± 1/4"

<b>APPROVAL</b>	I, THE UNDERSIGNED, AGREE THAT THE PRODUCT AS REPRESENTED SATISFIES DESIGN AND DIMENSION REQUIREMENTS. I ALSO ACKNOWLEDGE MY DUTY TO CONFIRM PRODUCT AND INSTALLATION COMPLIANCE WITH ALL APPLICABLE FEDERAL, STATE AND LOCAL REGULATIONS AND STANDARDS.	
	<b>ANY MODIFIED UNITS ARE NON-RETURNABLE</b>	
	[ ] As drawn      [ ] As marked	
	Signed: _____ Date: _____	
Printed Name: _____		
<b>LEAD TIME WILL START UPON RECEIPT OF SIGNED APPROVAL DRAWING</b>		

FOR INTERNAL USE ONLY PROJECT SIGN OFF	
SALES	
ENG.	
FAB.	
POWER	

DISTRIBUTOR'S NAME:		P.O.#
<b>VESTIL MANUFACTURING</b>		X
		W.O.#
DRAWN BY: TAW	DATE: 8/17/2016	X
REFERENCE: X	SCALE: 1:32	FILE NAME:
QUOTED LEAD TIME: X	QUOTE # X	18-007-318