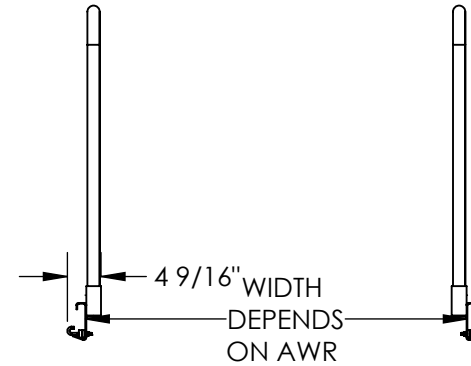
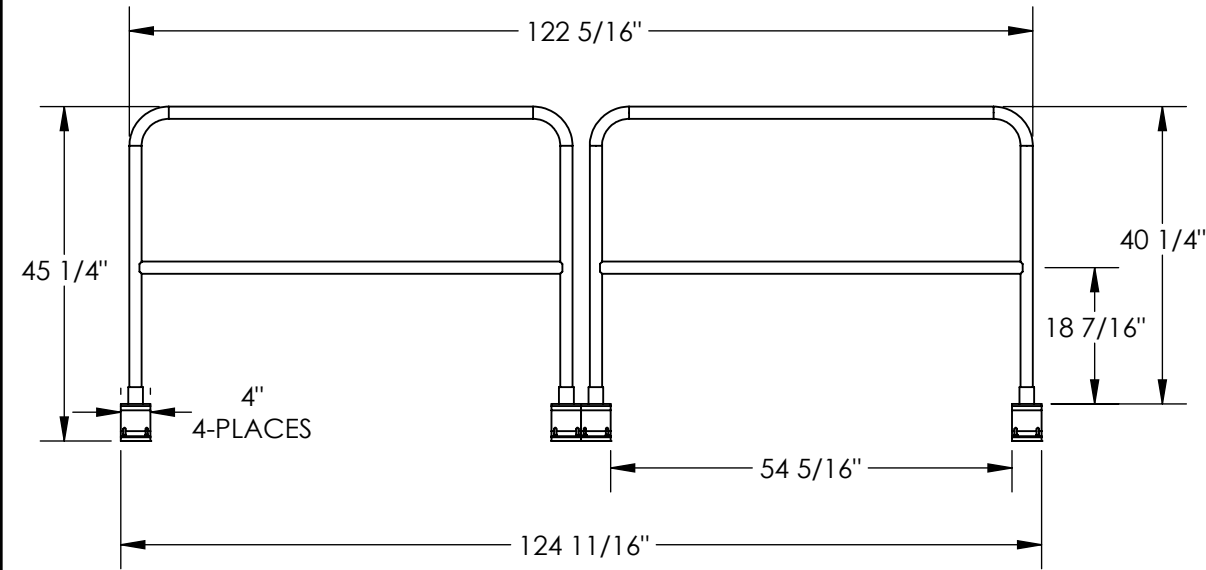


# HANDRAIL KIT-RETRO FIT FOR AWR - AWR-HR-12-RF

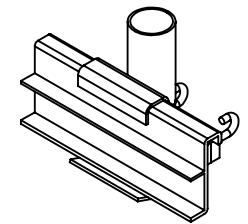
APPROX WEIGHT: 76.71 lbs.  
DOES NOT INCLUDE WEIGHT OF POWER OR PACKAGING!!!

\*\*\* ANY ADDITIONS, DELETIONS, OR OMISSIONS MUST BE CORRECTED ON THIS DRAWING AS THIS DRAWING WILL BE CONSIDERED ALL INCLUSIVE \*\*\*

ALL GRAPHICS PROVIDED ARE FOR REFERENCE ONLY. IF CERTAIN DIMENSIONS ARE CRITICAL PLEASE VERIFY THOSE DIMENSIONS WITH YOUR SALESPERSON



AWR IS NOT INCLUDED.  
SIDE CURB IS FOR  
REFERENCE ONLY



J-BOLTS LOCK  
AROUND AWR RAIL

## STANDARD FEATURES

MODEL NUMBER IS AWR-HR-12-RF  
WIDTH DEPENDS ON THE AWR  
OVERALL LENGTH IS 124 11/16"  
USABLE LENGTH IS 122 5/16"  
OVERALL HEIGHT IS 45 1/4"  
USABLE HEIGHT IS 40 1/4"  
HANDRAIL KIT INCLUDES:  
(4) ADKR-5 HANDRAILS  
(8) MOUNTING BRACKETS AND HARDWARE  
MAX WIDTH OF INDIVIDUAL HANDRAIL  
INCLUDING BRACKET IS 4 9/16"

## SPECIAL FEATURES

NONE

HANDRAIL KIT IS COMPATIBLE WITH THE FOLLOWING ALUMINUM WALK RAMPS	
AWR-28-12A	AWR-38-12A
AWR-28-12B	AWR-38-12B
AWR-G-28-12A	AWR-G-38-12A
AWR-28-12A-WH	AWR-38-12A-WH
AWR-28-12B-WH	AWR-38-12B-WH
AWR-G-28-12A-WH	AWR-G-38-12A-WH

DIMENSION TOLERANCE ± 1/4"

<b>APPROVAL</b>	I, THE UNDERSIGNED, AGREE THAT THE PRODUCT AS REPRESENTED SATISFIES DESIGN AND DIMENSION REQUIREMENTS. I ALSO ACKNOWLEDGE MY DUTY TO CONFIRM PRODUCT AND INSTALLATION COMPLIANCE WITH ALL APPLICABLE FEDERAL, STATE AND LOCAL REGULATIONS AND STANDARDS.	
	<b>ANY MODIFIED UNITS ARE NON-RETURNABLE</b>	
	[ ] As drawn      [ ] As marked	
	Signed: _____ Date: _____	
Printed Name: _____		
<i>LEAD TIME WILL START UPON RECEIPT OF SIGNED APPROVAL DRAWING</i>		

FOR INTERNAL USE ONLY PROJECT SIGN OFF	
SALES	
ENG.	
FAB.	
POWER	

DISTRIBUTOR'S NAME:		P.O.#
VESTIL MANUFACTURING		X
DRAWN BY: TAW		W.O.#
DATE: 8/17/2016		X
REFERENCE: X	SCALE: 1:26	SALES: X
QUOTED LEAD TIME: X	QUOTE #	FILE NAME:
	X	18-007-316