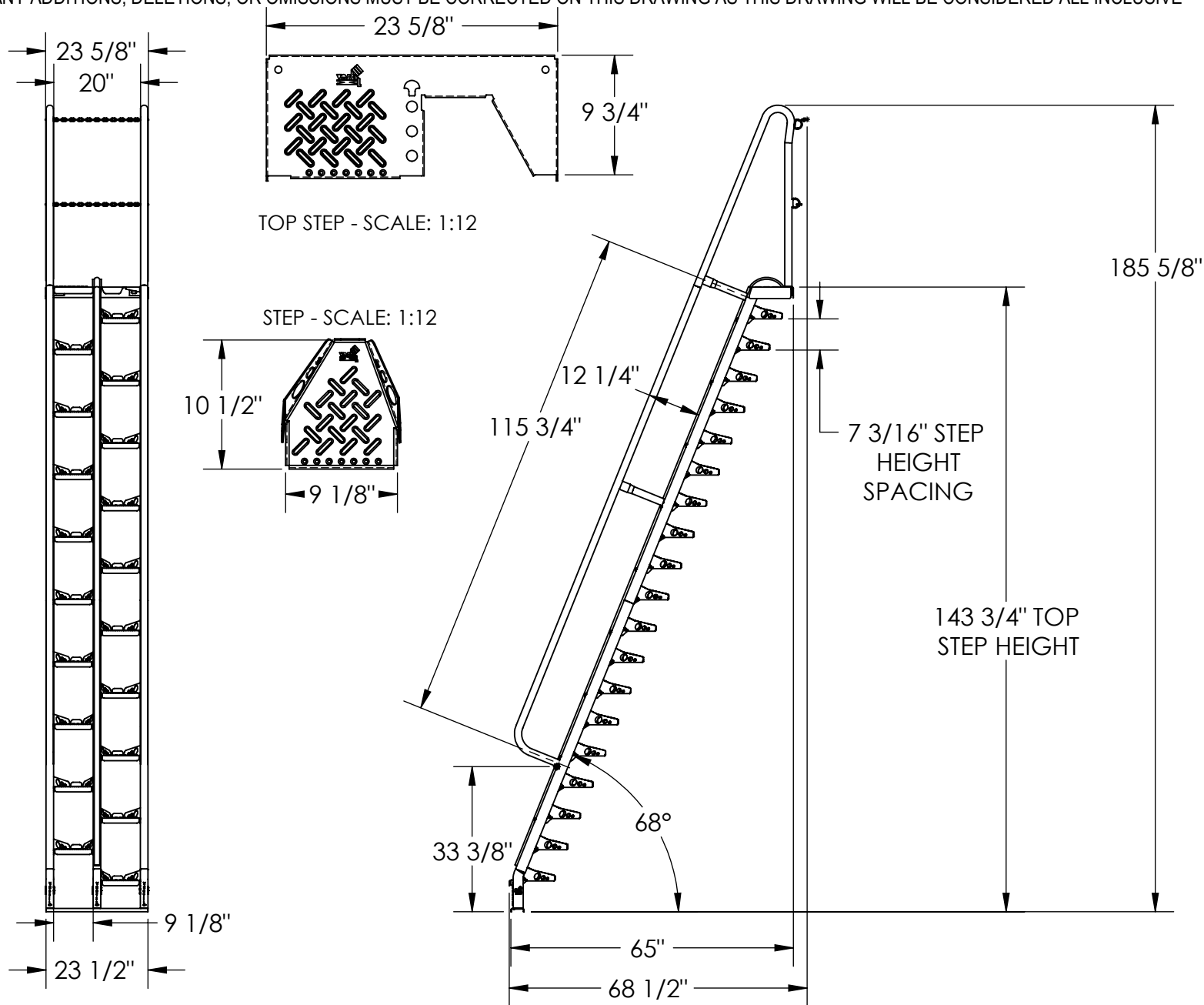


# ALTERNATING TREAD STAIR - ATS-12-68

APPROX WEIGHT: 278.08 lbs.  
DOES NOT INCLUDE WEIGHT OF POWER OR PACKAGING!!!

\*\*\*ANY ADDITIONS, DELETIONS, OR OMISSIONS MUST BE CORRECTED ON THIS DRAWING AS THIS DRAWING WILL BE CONSIDERED ALL INCLUSIVE\*\*\*



ALL GRAPHICS PROVIDED ARE FOR REFERENCE ONLY. IF CERTAIN DIMENSIONS ARE CRITICAL PLEASE VERIFY THOSE DIMENSIONS WITH YOUR SALESPERSON

DIMENSION TOLERANCE ± 1/4"

## STANDARD FEATURES

- MODEL NUMBER: ATS-12-68
- CLIMB ANGLE: 68°
- NUMBER OF STEPS: 20  
(INCLUDING TOP STEP)
- TOP STEP HEIGHT: 143 3/4"
- STEP HEIGHT SPACING: 7 3/16"
- HANDRAIL HEIGHT: 12 1/4"
- OVERALL HEIGHT: 185 5/8"
- OVERALL LENGTH: 68 1/2"
- OVERALL WIDTH: 23 1/2"
- CHAIN GATES AT TOP STEP
- RUBBER BUMPER STRIP
- MAX CAPACITY IS 350 LBS
- TOUGH BAKED IN POWDER COATED YELLOW FINISH

## SPECIAL FEATURES

NONE

|  |  |  |
|--|--|--|
| <b>APPROVAL</b>  | I, THE UNDERSIGNED, AGREE THAT THE PRODUCT AS REPRESENTED SATISFIES DESIGN AND DIMENSION REQUIREMENTS. I ALSO ACKNOWLEDGE MY DUTY TO CONFIRM PRODUCT AND INSTALLATION COMPLIANCE WITH ALL APPLICABLE FEDERAL, STATE AND LOCAL REGULATIONS AND STANDARDS. |  |
|  | <b>ANY MODIFIED UNITS ARE NON-RETURNABLE</b>   |  |
|  | [ ] As drawn [ ] As marked   |  |
|  | Signed: _____ Date: _____  |  |
| Printed Name: _____  |  |  |
| LEAD TIME WILL START UPON RECEIPT OF SIGNED APPROVAL DRAWING |  |  |

|   |  |                      |     |         |           |            |            |
|---|--|----------------------|-----|---------|-----------|------------|------------|
| FOR INTERNAL USE ONLY<br>PROJECT SIGN OFF |  | DISTRIBUTOR'S NAME:  |     | P.O.#   |           |            |            |
|   |  | VESTIL MANUFACTURING |     | X       |           |            |            |
| SALES                                     |  | DRAWN BY:            | BCN | DATE:   | 4/22/2009 | W.O.#      | X          |
| ENG.                                      |  | REFERENCE:           | X   | SCALE:  | 1:34      | SALES:     | X          |
| FAB.                                      |  | QUOTED LEAD TIME:    | X   | QUOTE # | X         | FILE NAME: | 44-007-359 |
| POWER                                     |  |                      |     |         |           |            |            |