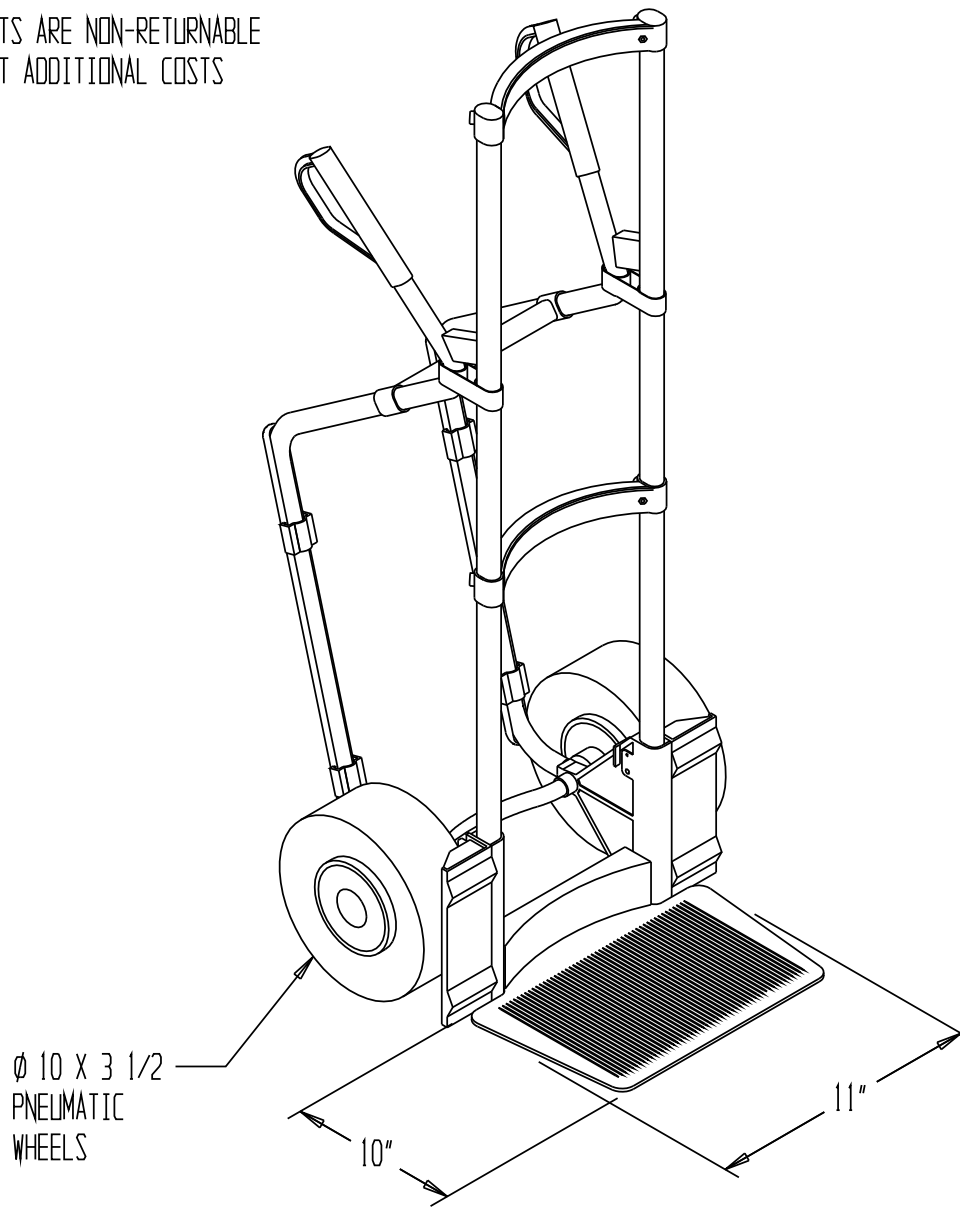


ALUMINUM ERGONOMIC HAND TRUCK, AMPC-500

**SPECIAL UNITS ARE NON-RETURNABLE
*AVAILABLE AT ADDITIONAL COSTS



STANDARD FEATURES

MODEL NUMBER: AMPC-500
CAPACITY: 350 LBS.
NOSE PLATE: 11" W x 10" LG.
WHEEL WIDTH (WHEEL TO WHEEL): 18 1/2"
OVERALL WIDTH: 24
OVERALL HEIGHT: 52"
OVERALL DEPTH: 25"

SPECIAL FEATURES

NONE

LEAD TIME WILL START UPON
RECEIPT OF SIGNED APPROVAL
DRAWING

APPROVAL

I, the undersigned, hereby approve this print
[] As drawn [] As marked
This includes my approval of design & dimensions.
Signed: _____
Date: _____

**Any additions, deletions or omissions must
be corrected on this drawing, as this drawing
will be considered all inclusive.**

*** ALL GRAPHICS PROVIDED ARE FOR REFERENCE ONLY. IF CERTAIN DIMENSIONS
ARE CRITICAL PLEASE VERIFY THOSE DIMENSIONS WITH YOUR SALESPERSON. ***

DISTRIBUTOR'S NAME: VESTIL MANUFACTURING		P.O.#: -
DRAWN BY: SR		W.O.#: -
DATE: 9-12-06	SALES: -	
REFERENCE: -	DRWG./FILE NAME: AMPC-500	
SCALE: NTS		