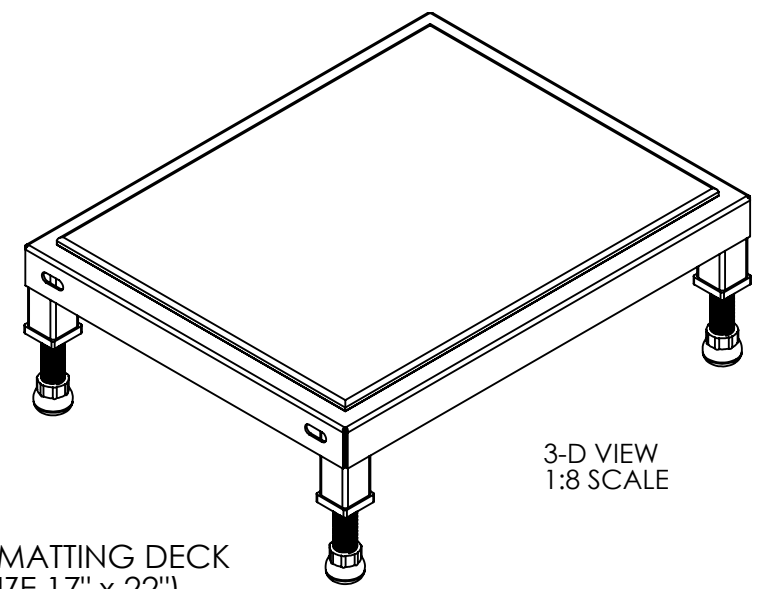
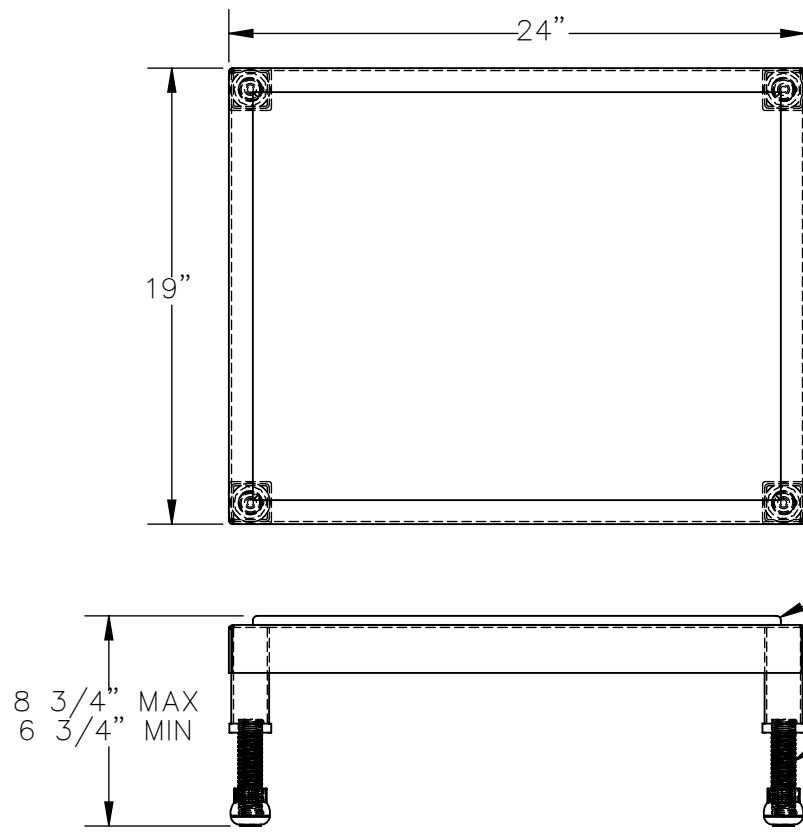


ADJ WORK-MATE STAND - MODEL: AHT-L-1924-SS

APPROX WEIGHT: 30.12 lbs.
DOES NOT INCLUDE WEIGHT OF POWER OR PACKAGING!!!

*** ANY ADDITIONS, DELETIONS, OR OMISSIONS MUST BE CORRECTED ON THIS DRAWING AS THIS DRAWING WILL BE CONSIDERED ALL INCLUSIVE ***
ALL GRAPHICS PROVIDED ARE FOR REFERENCE ONLY. IF CERTAIN DIMENSIONS ARE CRITICAL PLEASE VERIFY THOSE DIMENSIONS WITH YOUR SALESPERSON



ERGO-MATting DECK
(MAT SIZE 17" x 22")

HEIGHT ADJUSTED BY
ROTATING THREADED LEGS
(SHOWN AT MAX HEIGHT)

DIMENSION TOLERANCE ± 1/4"

STANDARD FEATURES

- MODEL NUMBER : AHT-L-1924-SS
- CAPACITY: 500 LBS.
- DECK WIDTH: 19"
- DECK LENGTH: 24"
- RAISED HEIGHT: 8 3/4"
- LOWERED HEIGHT: 6 3/4"
- ALL STAINLESS STEEL CONSTRUCTION WITH WELDING TO MEET AWS.
- ERGO MATting IS BLUE
- STAINLESS STEEL CONSTRUCTION WITH UNPOLISHED (MILL) FINISH

SPECIAL FEATURES

NONE

FOR INTERNAL USE ONLY PROJECT SIGN OFF	
SALES	
ENG.	
FAB.	
POWER	

A P P R O V A L

I, THE UNDERSIGNED, AGREE THAT THE PRODUCT AS REPRESENTED SATISFIES DESIGN AND DIMENSION REQUIREMENTS. I ALSO ACKNOWLEDGE MY DUTY TO CONFIRM PRODUCT AND INSTALLATION COMPLIANCE WITH ALL APPLICABLE FEDERAL, STATE AND LOCAL REGULATIONS AND STANDARDS.

ANY MODIFIED UNITS ARE NON-RETURNABLE

[] As drawn [] As marked

Signed: _____ Date: _____

Printed Name: _____

LEAD TIME WILL START UPON RECEIPT OF SIGNED APPROVAL DRAWING

DISTRIBUTOR'S NAME:		P.O.#
VESTIL MANUFACTURING		X
DRAWN BY: MTS	DATE: 12/27/13	W.O.#
REFERENCE: X	SCALE: 1:8	X
QUOTED LEAD TIME: X	QUOTE #	FILE NAME:
	X	14-007-232