

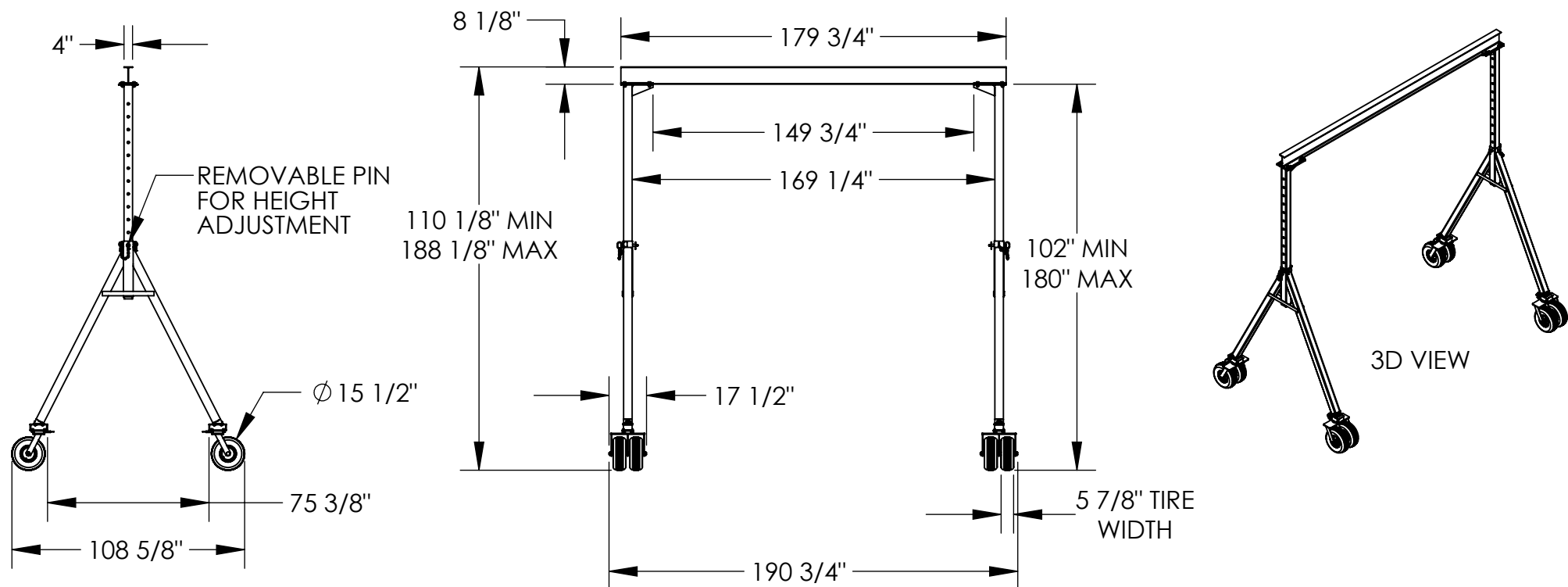
# ADJ. STEEL GANTRY CRANE WITH DUAL TIRE PNEUMATIC CASTERS - AHS-4-15-14-PNU

APPROX WEIGHT: 1139.39 lbs.

(DOES NOT INCLUDE WEIGHT OF POWER OR PACKAGING!!!)

\*\*\* ANY ADDITIONS, DELETIONS, OR OMISSIONS MUST BE CORRECTED ON THIS DRAWING AS THIS DRAWING WILL BE CONSIDERED ALL INCLUSIVE \*\*\*

ALL GRAPHICS PROVIDED ARE FOR REFERENCE ONLY. IF CERTAIN DIMENSIONS ARE CRITICAL PLEASE VERIFY THOSE DIMENSIONS WITH YOUR SALESPERSON



DIMENSION TOLERANCE  $\pm 1/4"$

## STANDARD FEATURES

- MODEL NUMBER IS AHS-4-15-14-PNU
- CAPACITY IS 4,000 LBS.
- BASE WIDTH IS 108 5/8"
- MAX OVERALL HEIGHT IS 188 1/8"
- I-BEAM HEIGHT IS 8 1/8"
- I-BEAM WIDTH IS 4"
- OVERALL I-BEAM LENGTH IS 179 3/4"
- USABLE I-BEAM LENGTH IS 149 3/4"
- ADJUSTABLE UNDER I-BEAM HEIGHT
  - 102" MIN
  - 180" MAX
- HEIGHT IS ADJUSTABLE IN 6" INCREMENTS
- (4)  $\phi 15 1/2"$  DUAL TIRE PNEUMATIC CASTERS (SWIVEL WITH (4) LOCKING POSITIONS)
- PNU MODELS ARE 12" TALLER THAN STANDARD
- AHS UNITS OF THE SAME HEIGHT DESIGNATION
- DURABLE LIQUID PAINT BLUE FINISH

## SPECIAL FEATURES

NONE

APPROVAL

I, THE UNDERSIGNED, AGREE THAT THE PRODUCT AS REPRESENTED SATISFIES DESIGN AND DIMENSION REQUIREMENTS. I ALSO ACKNOWLEDGE MY DUTY TO CONFIRM PRODUCT AND INSTALLATION COMPLIANCE WITH ALL APPLICABLE FEDERAL, STATE AND LOCAL REGULATIONS AND STANDARDS.

**UNITS REQUIRING APPROVAL DRAWINGS OR MODIFIED ARE NON-RETURNABLE**

As drawn       As marked

Signed: \_\_\_\_\_ Date: \_\_\_\_\_

Printed Name: \_\_\_\_\_

LEAD TIME WILL START UPON RECEIPT OF SIGNED APPROVAL DRAWING

DISTRIBUTOR'S NAME:		P.O.#
VESTIL MANUFACTURING		X
DRAWN BY: MTS		W.O.#
DATE: 01/29/2021		X
REFERENCE: X	SCALE: 1:70	SALES: X
QUOTED LEAD TIME: X	QUOTE #	FILE NAME:
	X	28-007-478