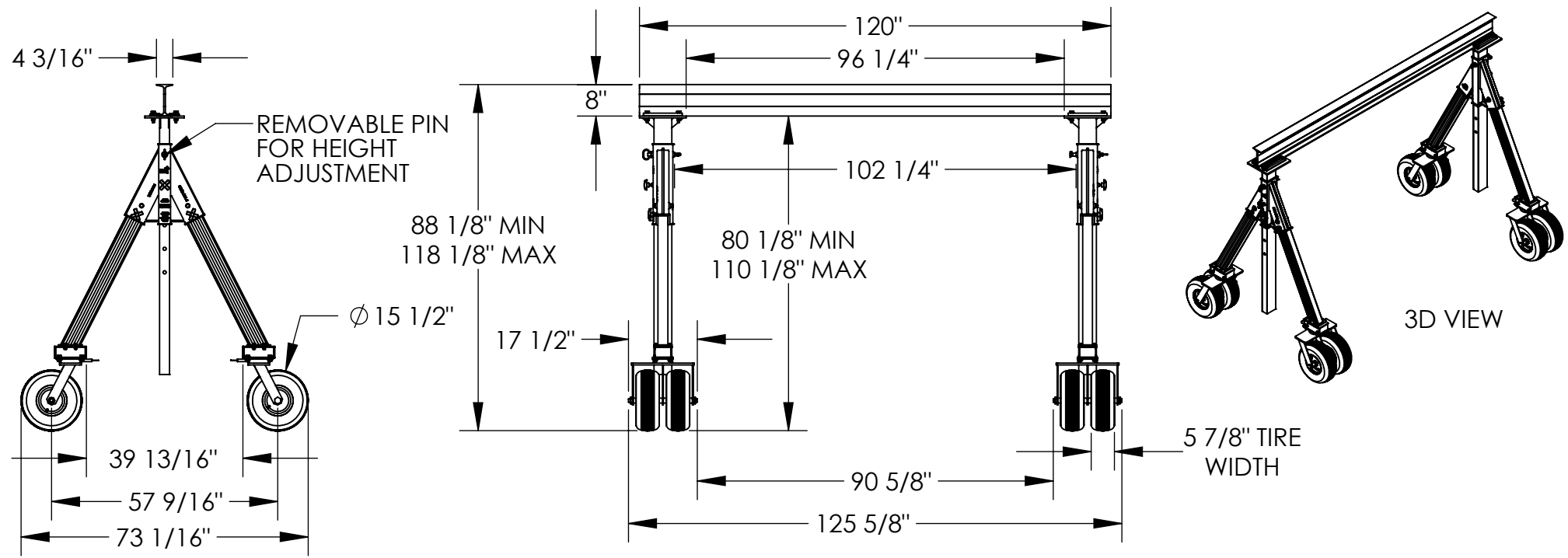


ADJ. ALUMINUM GANTRY CRANE WITH DUAL TIRE PNEUMATIC CASTERS - AHA-4-10-8-PNU

APPROX WEIGHT: 447.86 lbs.
(DOES NOT INCLUDE WEIGHT OF POWER OR PACKAGING!!!)

*** ANY ADDITIONS, DELETIONS, OR OMISSIONS MUST BE CORRECTED ON THIS DRAWING AS THIS DRAWING WILL BE CONSIDERED ALL INCLUSIVE ***
ALL GRAPHICS PROVIDED ARE FOR REFERENCE ONLY. IF CERTAIN DIMENSIONS ARE CRITICAL PLEASE VERIFY THOSE DIMENSIONS WITH YOUR SALESPERSON



DIMENSION TOLERANCE ± 1/4"

STANDARD FEATURES

- MODEL NUMBER IS AHA-4-10-8-PNU
- CAPACITY IS 4,000 LBS.
- BASE WIDTH IS 73 1/16"
- MAX OVERALL HEIGHT IS 118 1/8"
- I-BEAM HEIGHT IS 8"
- I-BEAM WIDTH IS 4 3/16"
- OVERALL I-BEAM LENGTH IS 120"
- USABLE I-BEAM LENGTH IS 96 1/4"
- ADJUSTABLE UNDER I-BEAM HEIGHT
 - 80 1/8" MIN
 - 110 1/8" MAX
- HEIGHT IS ADJUSTABLE IN 6" INCREMENTS
- (4) Ø 15 1/2" DUAL TIRE PNEUMATIC CASTERS
(SWIVEL WITH (4) LOCKING POSITIONS)
- PNU MODELS ARE 12" TALLER THAN STANDARD
- AHA UNITS OF THE SAME HEIGHT DESIGNATION
- ALUMINUM CONSTRUCTION

SPECIAL FEATURES

NONE

APPROVAL

I, THE UNDERSIGNED, AGREE THAT THE PRODUCT AS REPRESENTED SATISFIES DESIGN AND DIMENSION REQUIREMENTS. I ALSO ACKNOWLEDGE MY DUTY TO CONFIRM PRODUCT AND INSTALLATION COMPLIANCE WITH ALL APPLICABLE FEDERAL, STATE AND LOCAL REGULATIONS AND STANDARDS.
UNITS REQUIRING APPROVAL DRAWINGS OR MODIFIED ARE NON-RETURNABLE
[] As drawn [] As marked

Signed: _____ Date: _____

Printed Name: _____

LEAD TIME WILL START UPON RECEIPT OF SIGNED APPROVAL DRAWING

DISTRIBUTOR'S NAME:		P.O.#
VESTIL MANUFACTURING		X
DRAWN BY: MTS		W.O.#
DATE: 01/29/2021		X
REFERENCE: X	SCALE: 1:38	SALES: X
QUOTED LEAD TIME: X	QUOTE #	FILE NAME:
	X	28-007-462