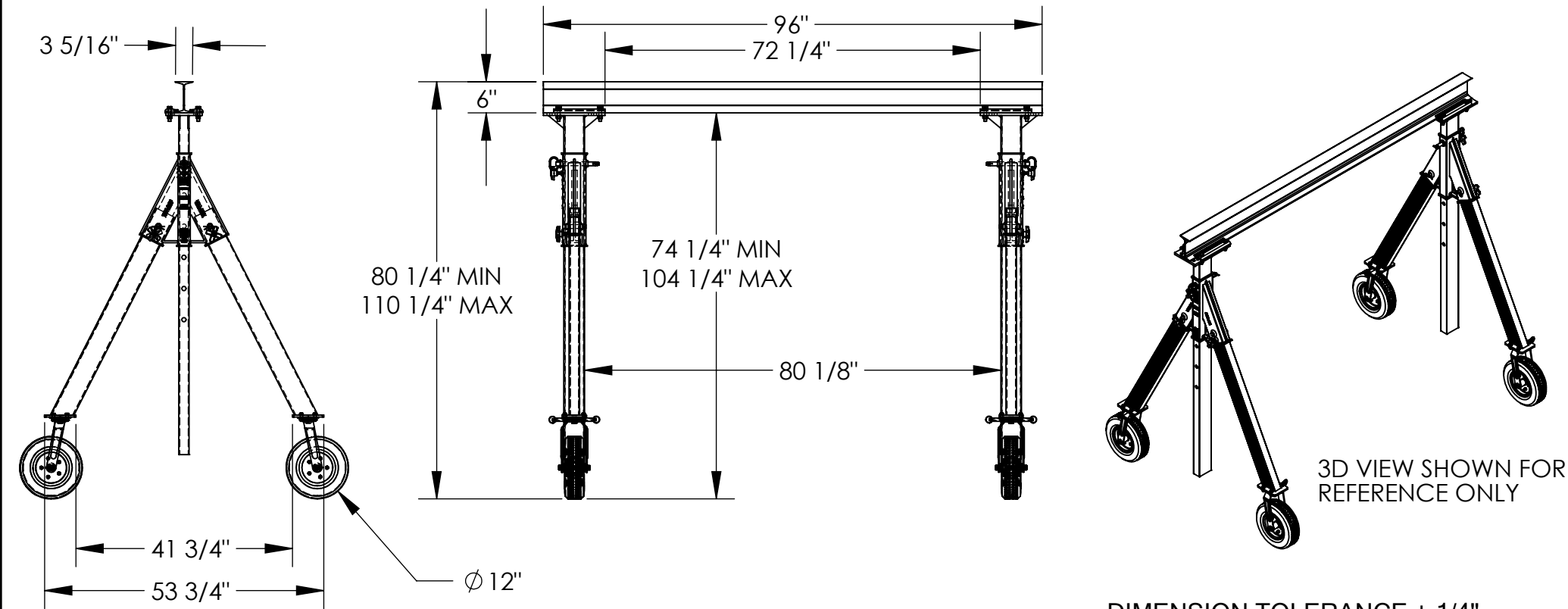


ADJUSTABLE ALUMINUM GANTRY CRANE -AHA-15-8-8-PNU

APPROX WEIGHT: 268 lbs.
 DOES NOT INCLUDE WEIGHT OF POWER OR PACKAGING!!!

*** ANY ADDITIONS, DELETIONS, OR OMISSIONS MUST BE CORRECTED ON THIS DRAWING AS THIS DRAWING WILL BE CONSIDERED ALL INCLUSIVE ***
 ALL GRAPHICS PROVIDED ARE FOR REFERENCE ONLY. IF CERTAIN DIMENSIONS ARE CRITICAL PLEASE VERIFY THOSE DIMENSIONS WITH YOUR SALESPERSON



DIMENSION TOLERANCE $\pm 1/4"$

STANDARD FEATURES

- MODEL NUMBER IS AHA-15-8-8-PNU
- CAPACITY IS 1,500 LBS.
- BASE WIDTH IS $53\ 3/4"$
- MAX OVERALL HEIGHT IS $110\ 1/4"$
- I-BEAM HEIGHT IS $6"$
- I-BEAM FLANGE WIDTH IS $3\ 5/16"$
- OVERALL I-BEAM LENGTH IS $96"$
- USABLE I-BEAM LENGTH IS $72\ 1/4"$
- ADJUSTABLE UNDER I-BEAM HEIGHT
 - $74\ 1/4"$ MIN
 - $104\ 1/4"$ MAX
- HEIGHT IS ADJUSTABLE IN $6"$ INCREMENTS
- CASTERS: (4) $\phi 12"$ X $3\ 1/2"$ WIDE
- PNEUMATIC SWIVEL CASTERS WITH FOUR LOCKING POSITIONS
- ALUMINUM CONSTRUCTION

SPECIAL FEATURES

NONE

APPROVAL	I, THE UNDERSIGNED, AGREE THAT THE PRODUCT AS REPRESENTED SATISFIES DESIGN AND DIMENSION REQUIREMENTS. I ALSO ACKNOWLEDGE MY DUTY TO CONFIRM PRODUCT AND INSTALLATION COMPLIANCE WITH ALL APPLICABLE FEDERAL, STATE AND LOCAL REGULATIONS AND STANDARDS.	
	UNITS REQUIRING APPROVAL DRAWINGS OR MODIFIED ARE NON-RETURNABLE	
	[] As drawn [] As marked	
Signed: _____		Date: _____
Printed Name: _____		
LEAD TIME WILL START UPON RECEIPT OF SIGNED APPROVAL DRAWING		

FOR INTERNAL USE ONLY PROJECT SIGN OFF	
SALES	
ENG.	
FAB.	
POWER	

DISTRIBUTOR'S NAME:		P.O.#
VESTIL MANUFACTURING		X
DRAWN BY: ND	DATE: 07/11/13	W.O.#
REFERENCE: X	SCALE: 1:28	X
QUOTED LEAD TIME: X	QUOTE #	FILE NAME:
	X	28-007-285